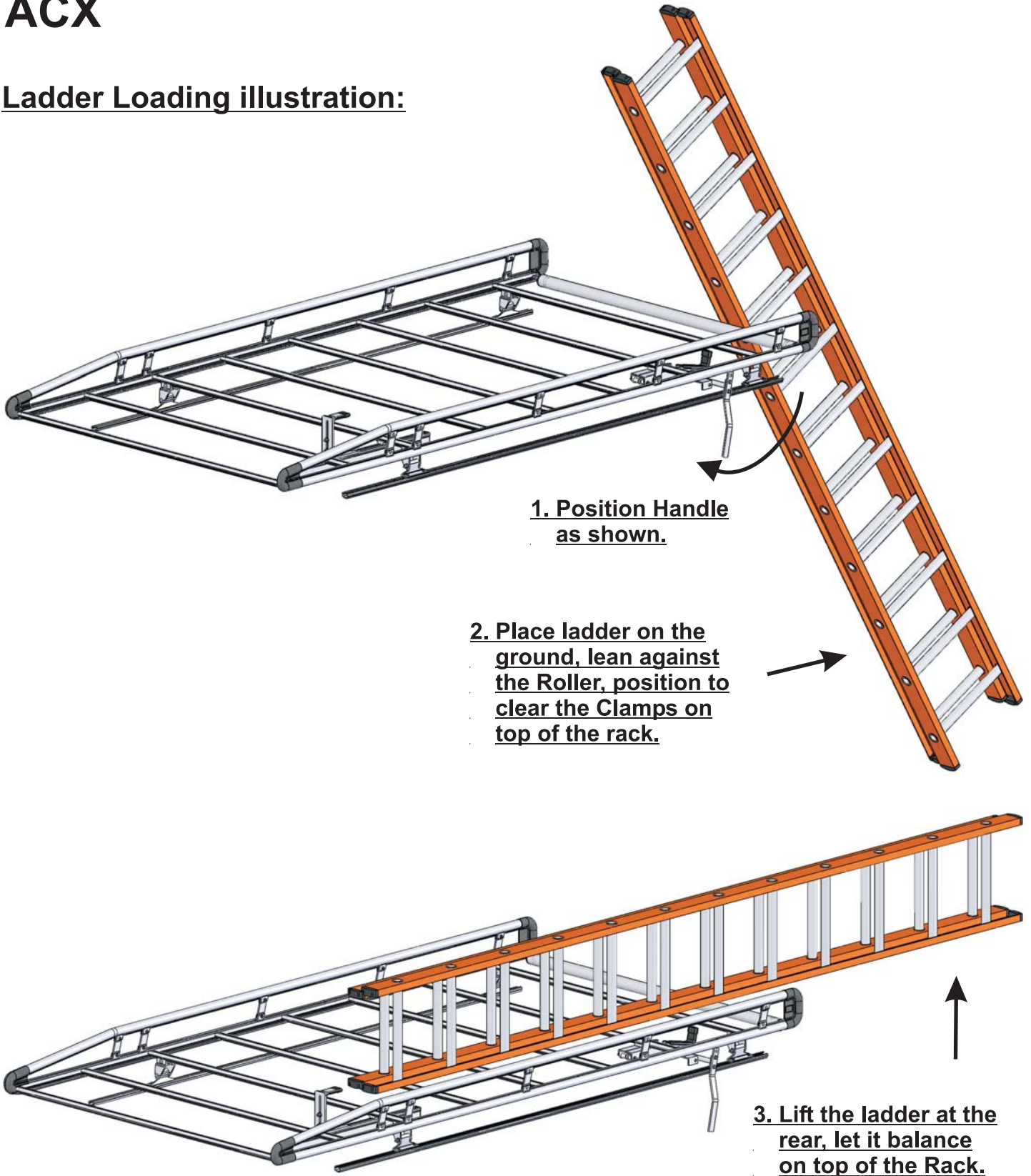


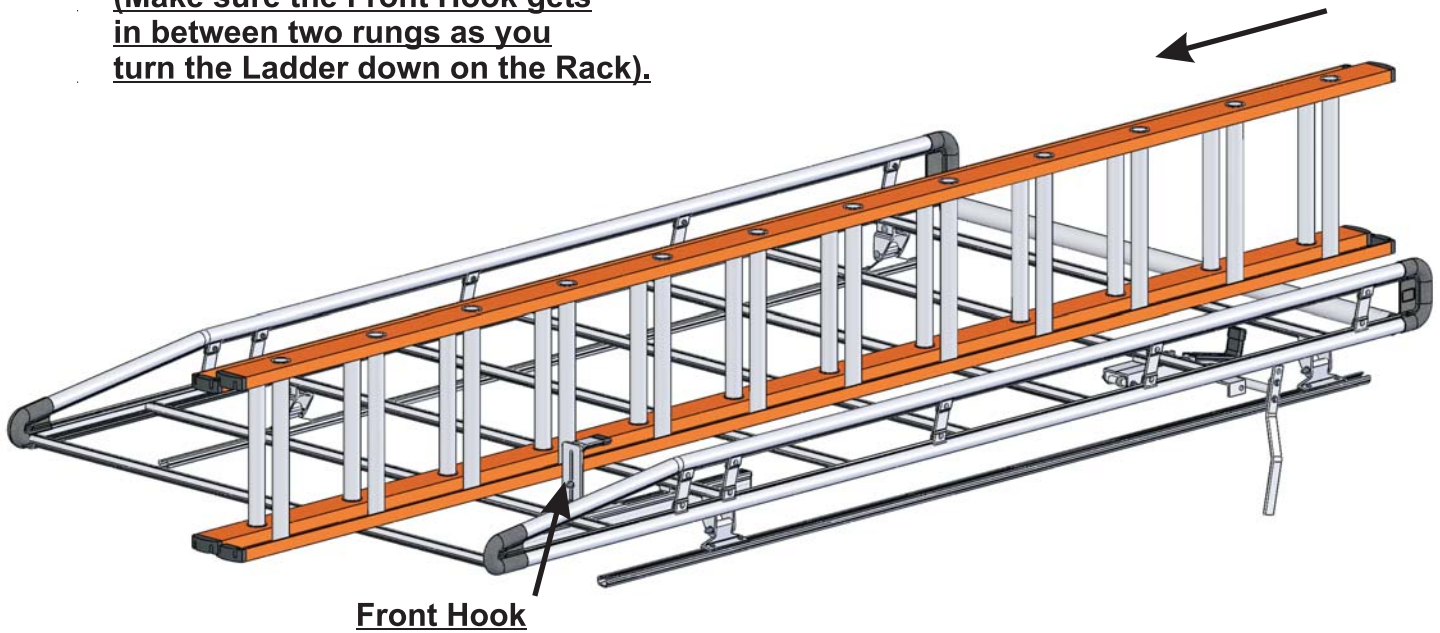
ACX

Ladder Loading illustration:

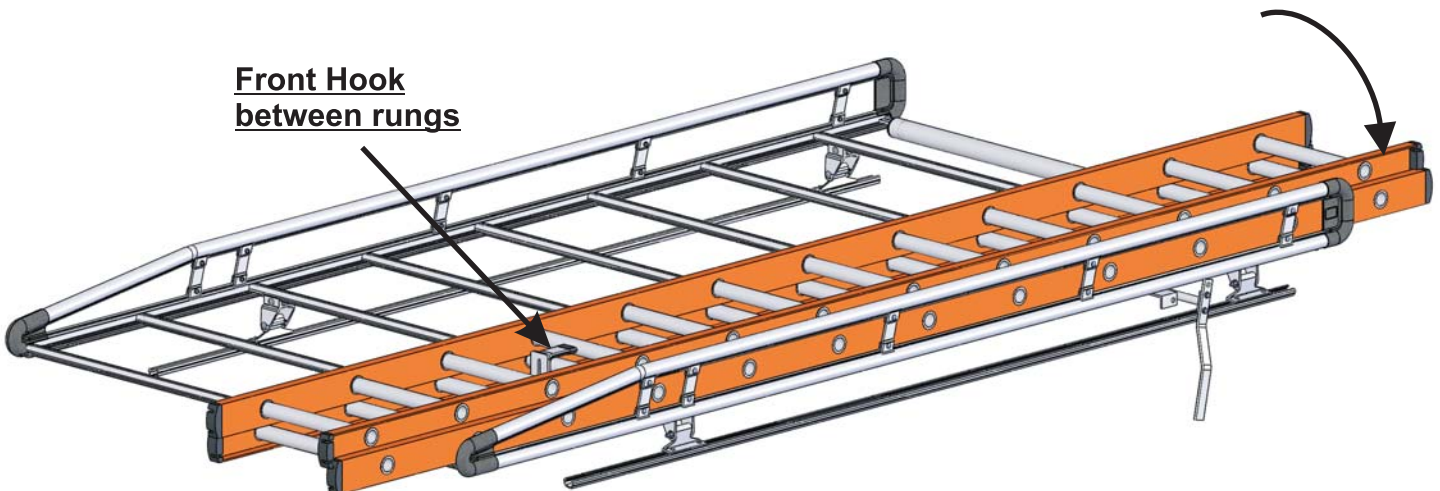


Ladder Loading illustration:

- 4. push the Ladder forward past the Front Hook to the desired carrying position.**
(Make sure the Front Hook gets in between two rungs as you turn the Ladder down on the Rack).

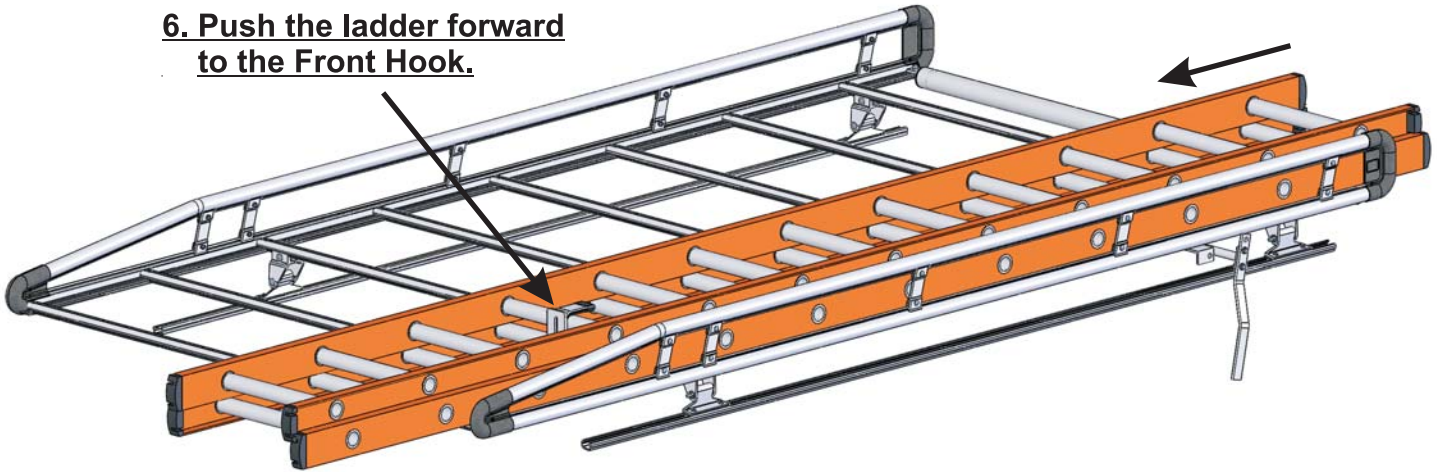


- 5. Lay the ladder onto the rack. Position next to the Side Rail.**

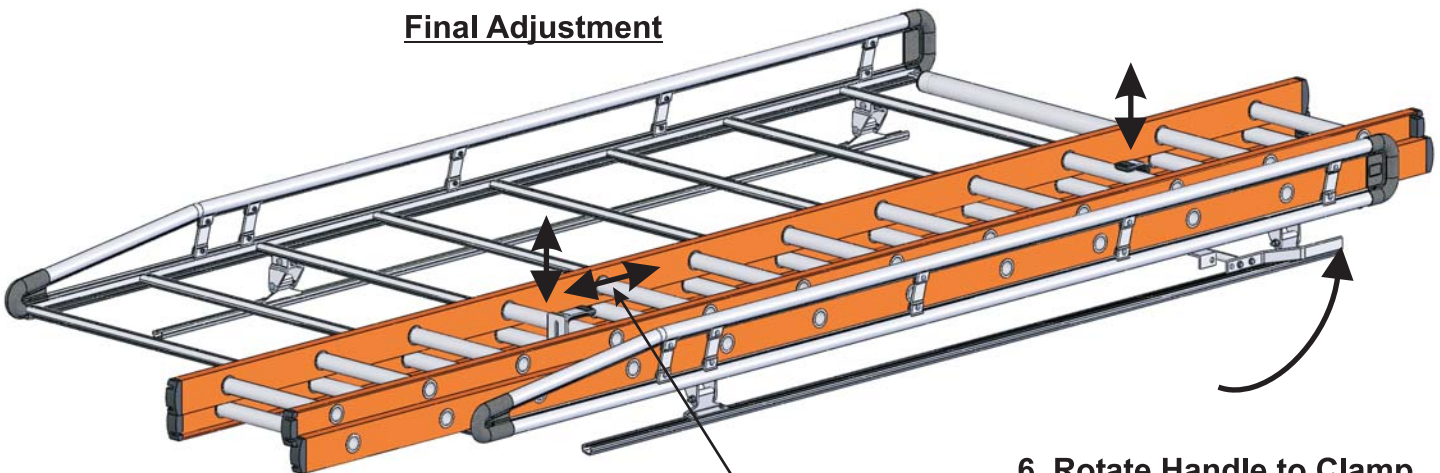


Ladder Loading illustration:

6. Push the ladder forward to the Front Hook.



Final Adjustment







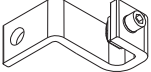

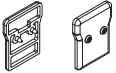
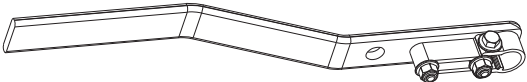

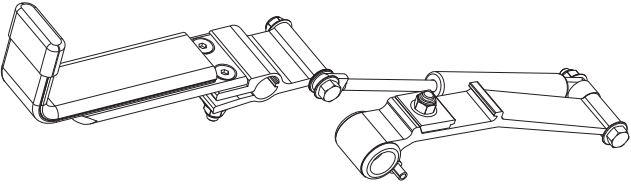
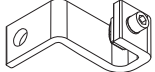
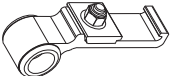
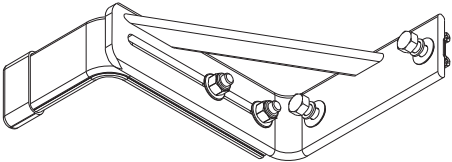
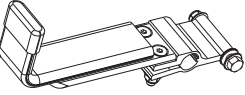

Adjust

When adjusted properly, Rear Clamp is vertical, and Padlock holes line up between Handle and Bracket.

**6. Rotate Handle to Clamp the ladder.
Padlock Handle Clamp if desired.**

7. Ladder is clamped and ready for transportation.

Replacement Parts :

Channel 750mm - 30" CDR-100-49			
Quick Clamp Hardware Kit - HKT-201 QTY: (1)			
			
CDR-134	CAP-800-49 (2)	BRG-800-54-1 (2)	CDR-800-72
Handle Rod Asy, LH CDR-800-70-L		Channel Caps, CAP-800-49 (2)	
			
Handle Asy, LH CDR-824-L		Low Channel Connector, BRG-800-54-1	
			
Rear Clamp Asy, LH CDR-800-68A-L		Padlock Bracket CDR-800-71	
			
		Handle Support Bracket Asy CDR-800-72	
			
	CDR-800-69 Rear Clamp Asy, Adjust.		PAIuRack QC Handle Bushing CDR-134
			
	CDR-800-68-A Rear Clamp Base Asy		Gas Spring GSP-114
