

Installation Date:  /  /

**! CAUTION: !!! Keep it in safe place (glove box)**

## Dear Customer,

Thank you for choosing **Tessera Roll+**!

We're proud to welcome you to the **Tessera4x4 accessories family** and thank you for investing in the world's most advanced roll-top cover. The **Tessera Roll+** is more than just a cover — it's a **premium, modular, and AI-powered system** that's designed to meet the needs of demanding professionals and everyday adventurers alike.

### Get Started with Your Tessera Roll+

If you haven't started using it yet, here are some key features you should know:

- **World's First Modular 3-in-1 Roll Top Cover** – Start with the manual version and upgrade anytime to spring-assisted (S-Kit) or electric (E-Kit) mode using the same base. It's also the only cover that can be downgraded for maintenance, ensuring your **Tessera Roll+** is always ready when you need it.
- **AI-Powered (Electric Version)** – The electric version of **Tessera Roll+** is enhanced with advanced AI capabilities, including real-time pop-up notifications, firmware (FW) updates for new features, and smart maintenance reminders or alerts.
- **4 Modes of Operation (Electric Version):**
  1. **Key fobs**
  2. **Mobile App**
  3. **Voice Commands**
  4. **One Touch**
- **Innovative Design** – Featuring one of the smallest canisters on the market with easy access, seamless movement, precision-engineered brackets, a red LED light bar (Brake/Beam/Hazard Lights), and an internal white LED bar located on the moving part for spot and focus functionality.
- **High-Security System** – Built with 5mm thick aluminum and knife-proof slats, the **Tessera Roll+** features an advanced internal locking system with heavy-duty aluminum locking teeth and reinforced side rails, all engineered for maximum strength, intrusion resistance, and user safety.
- **Unmatched Model Coverage & Efficient Stocking** – Tessera4x4 is the only brand globally that offers 3-in-1 modular retractable roll top covers across such an extensive range of pickup models, each tailored to the unique dimensions and design of vehicles in the global market. Available for all E.U. models (Double and Space Cabs) and U.S. models (5.5' | 6.5' | 8' feet).

### Need Help?

We're here to support you every step of the way. If you need any assistance or have questions, feel free to email us at [info@gianso.gr](mailto:info@gianso.gr).

### Stay Connected!

We'd love to hear your experience with the **Tessera Roll+** and see it in action. Tag us and share your setup on social media:

Website: <https://www.tessera4x4.com>

Instagram: [https://www.instagram.com/Tessera4x4\\_Accessories/](https://www.instagram.com/Tessera4x4_Accessories/)

Facebook: <https://www.facebook.com/Tessera4x4.Accessories.Tessera4x4Rolls>

TikTok: <https://www.tiktok.com/@tessera4x4>



Thank you once again for your purchase. We hope the **Tessera Roll+** enhances your vehicle's security, utility, and style — every mile of the way.

**Best regards,**  
**Tessera4x4 Accessories Team**

# SERIAL NUMBER: Tessera Roll+

## SERIAL NUMBER Tessera Roll+

15 patents

**ADVANCE E-MAIL PCT**  
NOTIFICATION CONCERNING AVAILABILITY OF THE PUBLICATION OF THE INTERNATIONAL APPLICATION

**WO 2014/053863**  
PCT/GR2013/00005

**WORLD INTELLECTUAL PROPERTY ORGANIZATION**  
**WO 2014/053863**

**38.0** **52.0** **540.6** **542.2** **0520** **542.2** **11.1**

3 TUV Certifications + E2\*10R06/02\*30079\*00 + RED, EU directive 2014/53/EU  
EMC R10 & The Radio Equipment Directive

**CERTIFICATE**  
Management System as per EN ISO 9001:2015

**CERTIFICATE**  
Management System as per EN ISO 14001:2015

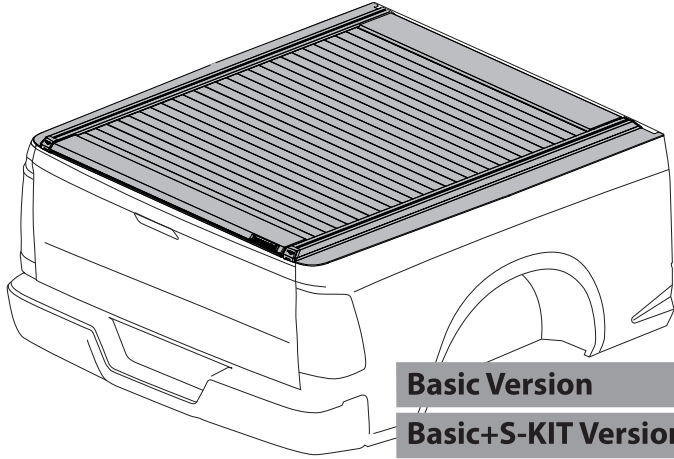
**CONFIRMATION**  
Management System with approval relevant requirements

**EMITECH CERTIFICATION**  
Évaluation de la conformité Directive 2014/53/UE Rapport N° 24-D397\_R

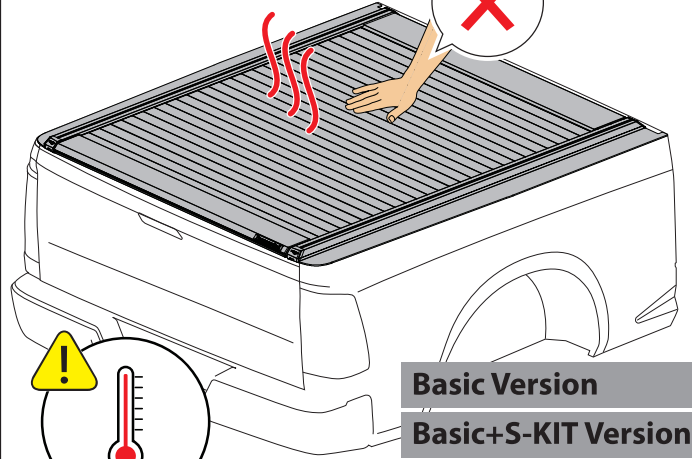
**TESSERA**  
GIANSO 4 X 4 CLUB S.A.  
19.5<sup>th</sup> km. National Road of Athens-Korinthos GR-192 00 ELEFSINA, GREECE

**EMITECH**  
Produit / Product: **Housse rétractable pour camionnettes / Retractable roll top cover for pickup trucks**

**General Warnings**

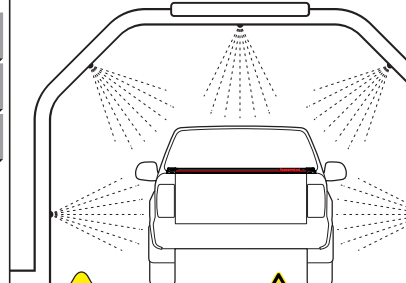


- Basic Version ✓
- Basic+S-KIT Version ✓
- Basic+E-KIT Version ✓



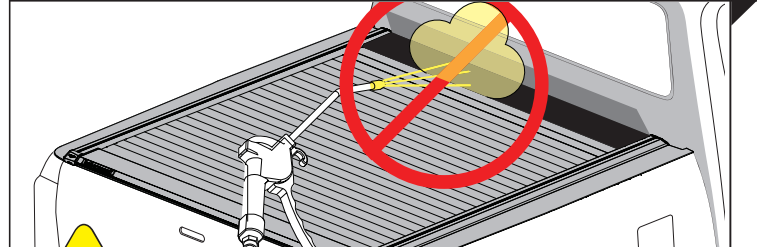
- Basic Version ✓
- Basic+S-KIT Version ✓
- Basic+E-KIT Version ✓

- Basic Version ✓
- Basic+S-KIT Version ✓
- Basic+E-KIT Version ✓



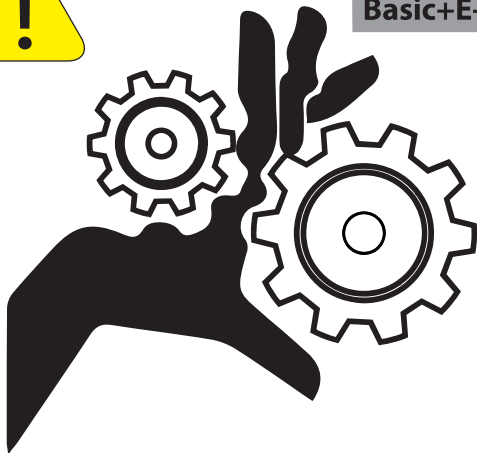
- Basic Version ✓
- Basic+S-KIT Version ✓
- Basic+E-KIT Version ✓

**CAUTION** No Acid Liquids (Max PH 8)



**CAUTION** No Water or Air Pressure to prevent accidental opening

- Basic Version ✓
- Basic+S-KIT Version ✓
- Basic+E-KIT Version ✓



**CAUTION: Do not operate with canister's cover OPENED!**

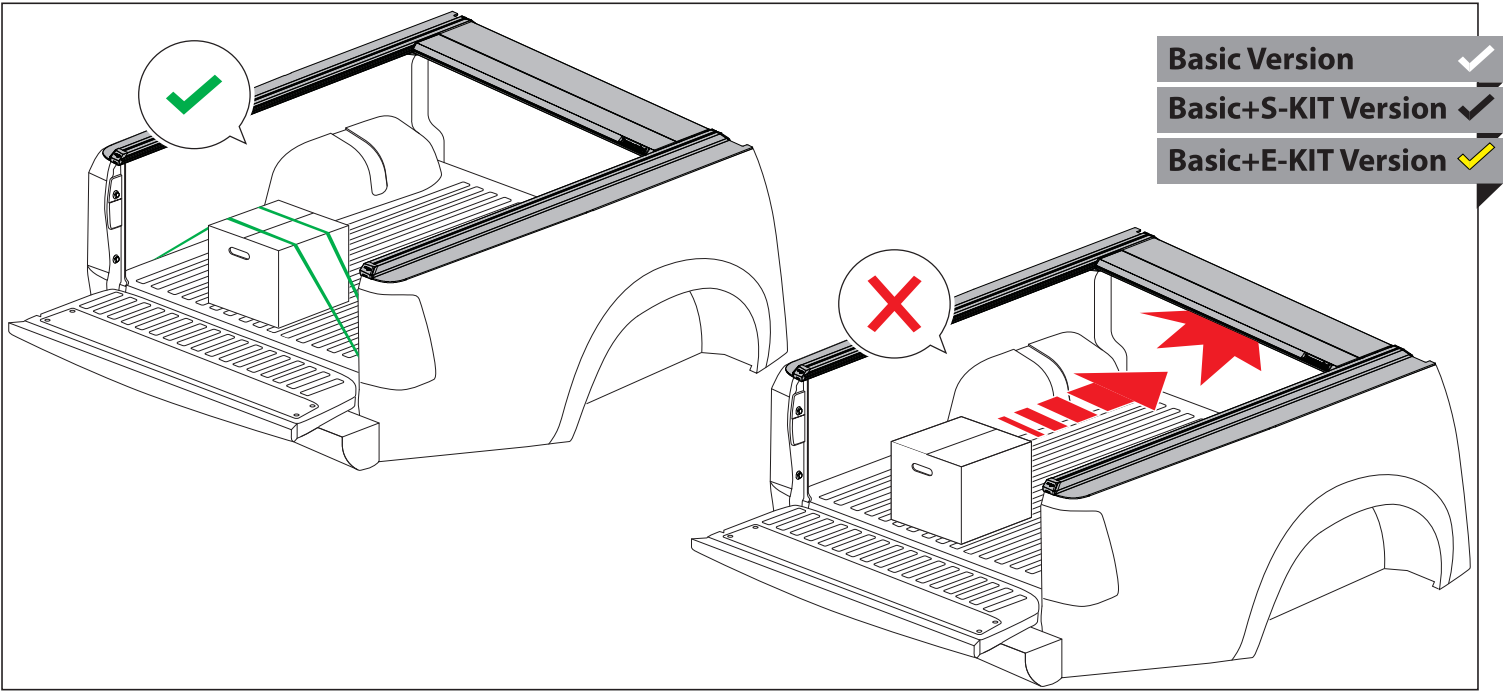
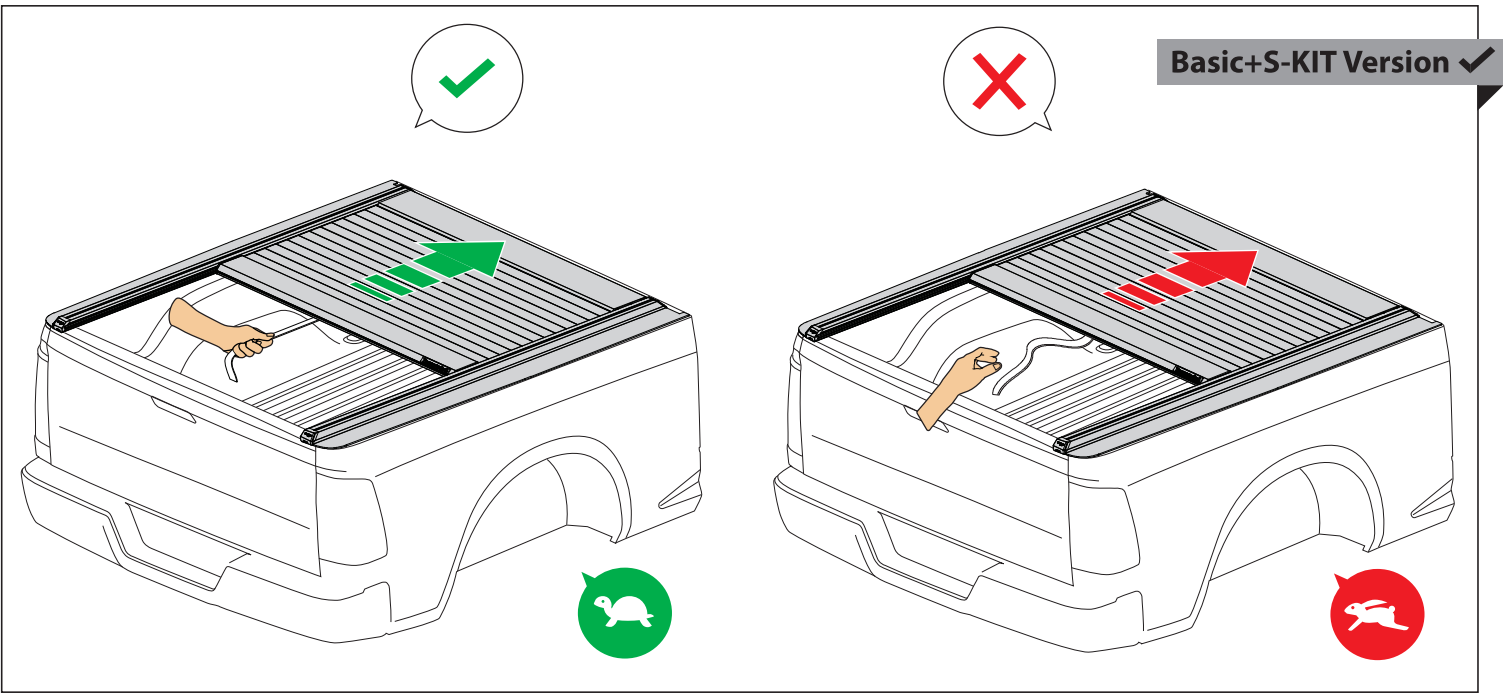
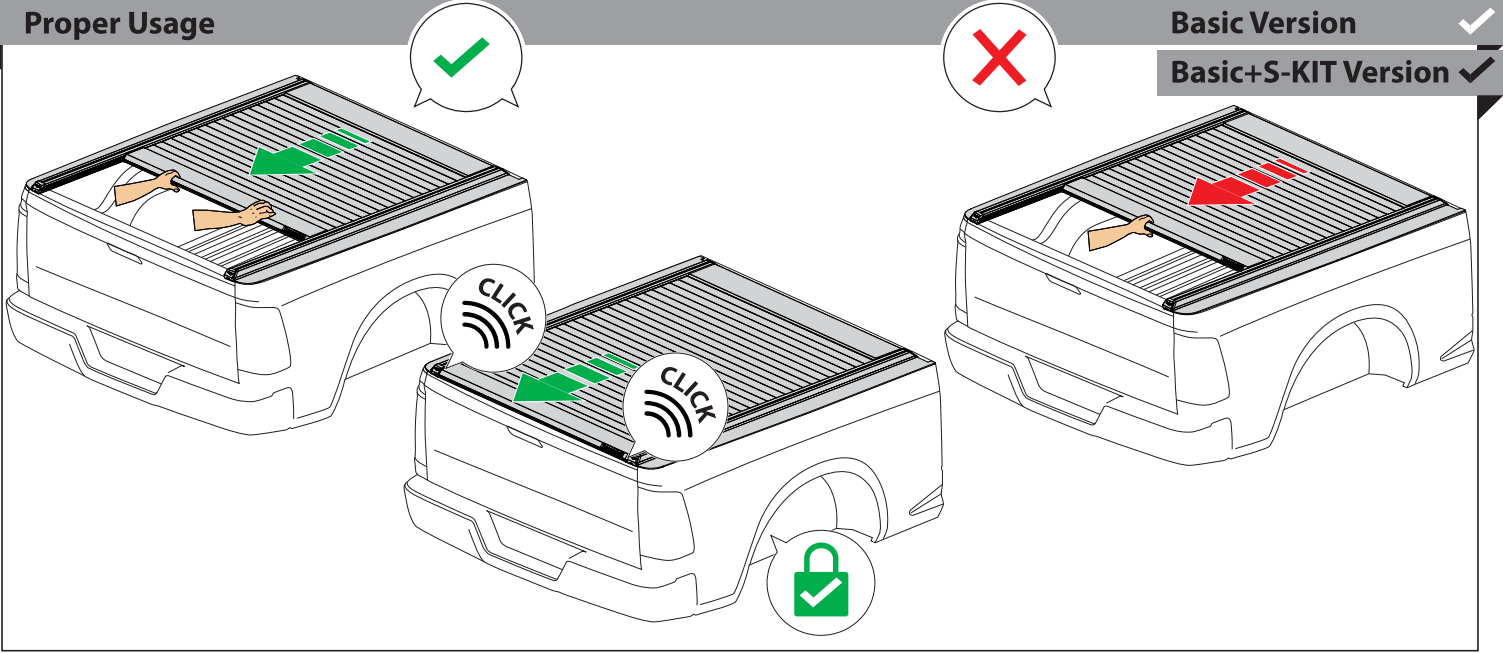
- Basic+E-KIT Version ✓

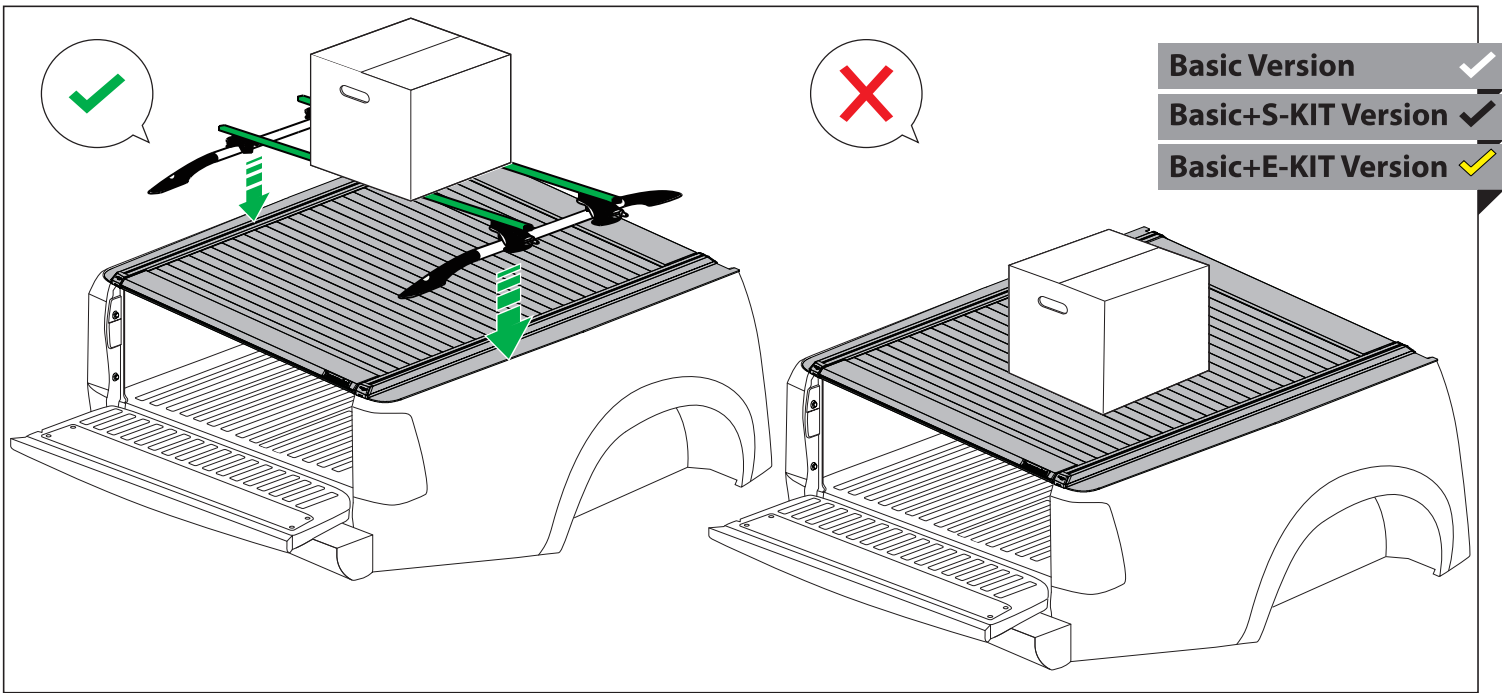


**0-5 Years**

If swallowed or placed inside any other part of the body, immediately call the 24-hour Poison Information Centre (Look up the number in your country of residence) for fast, expert advice. Dispose of used batteries immediately.

Proper Usage





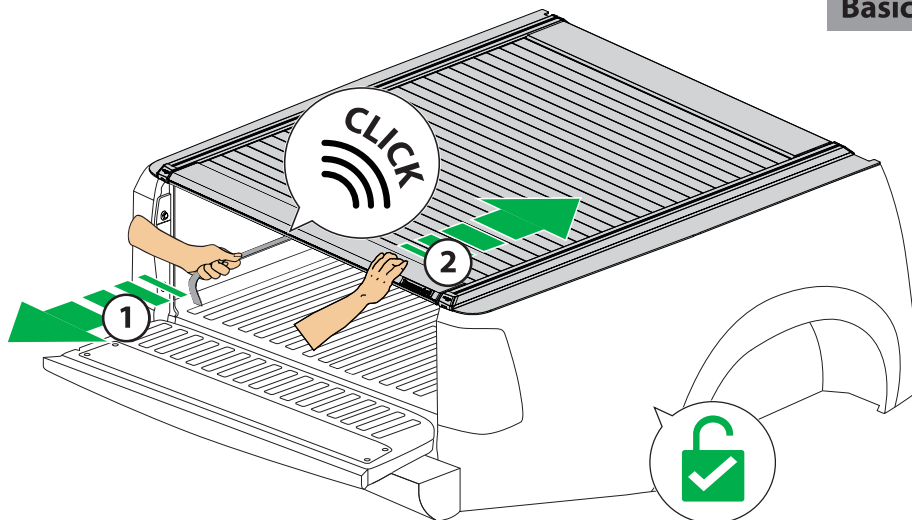
- Basic Version ✓
- Basic+S-KIT Version ✓
- Basic+E-KIT Version ✓

**Operation/Settings:**

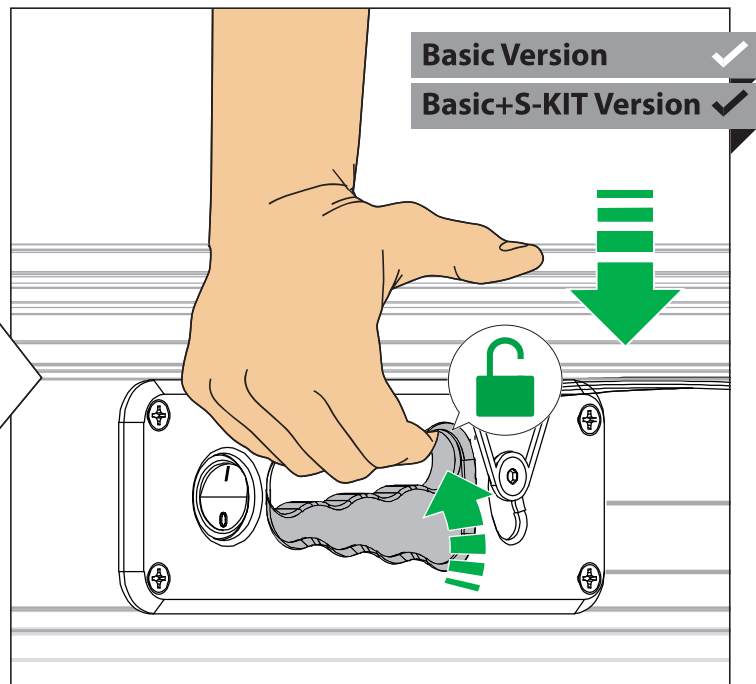
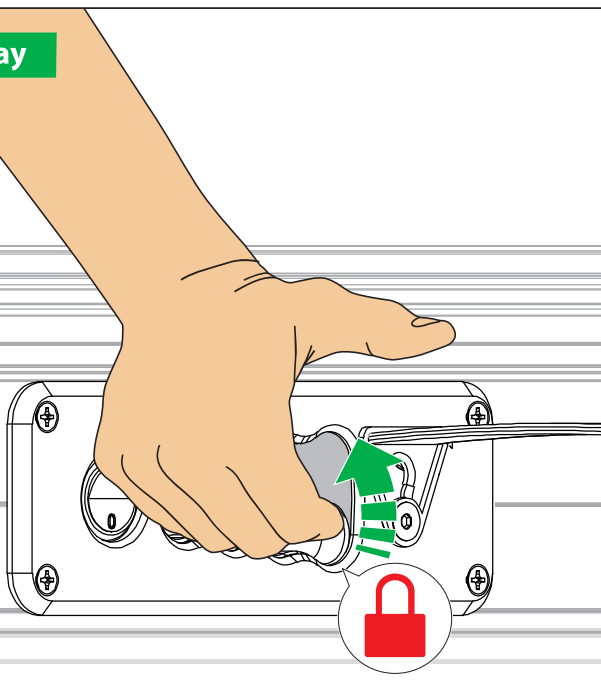
**Open/Close (2 Ways)**

- Basic Version ✓
- Basic+S-KIT Version ✓

**1st way**



**2nd way**



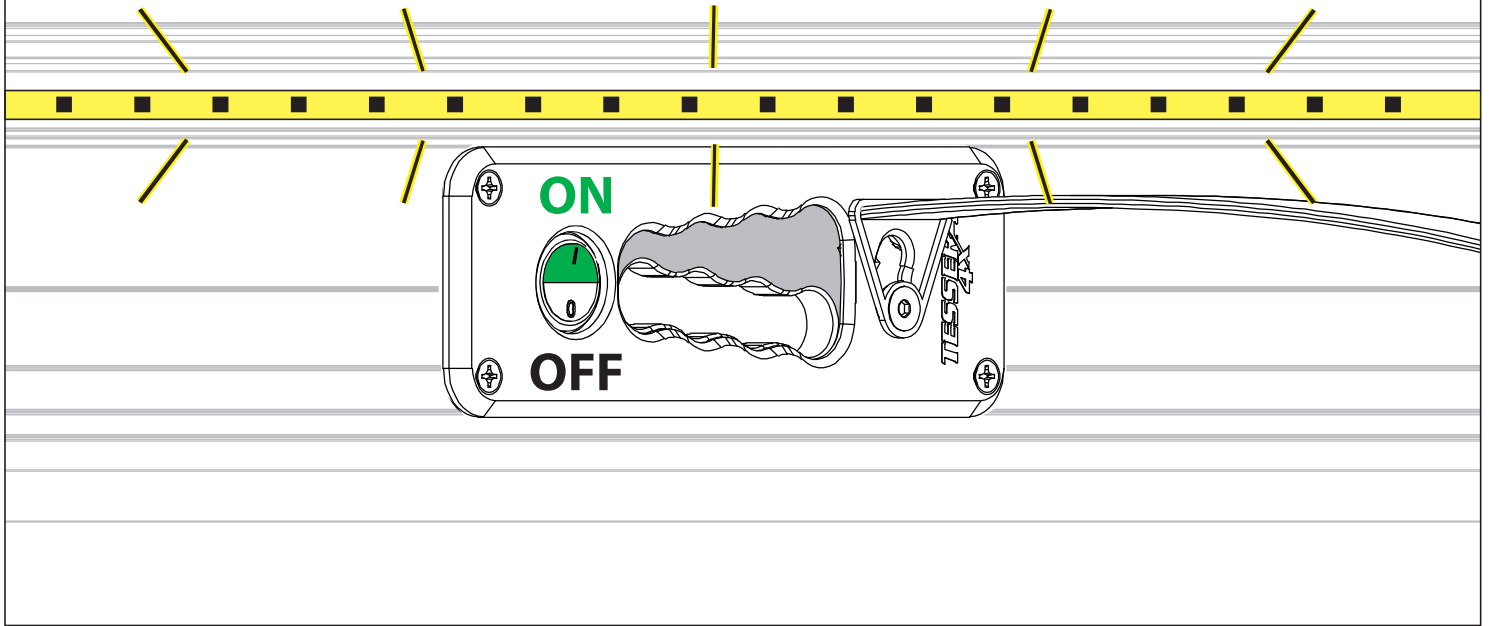
- Basic Version ✓
- Basic+S-KIT Version ✓

Internal White LED Light Bar (ON/OFF)

Basic Version ✓

Basic+S-KIT Version ✓

**! CAUTION: UNATTENDED USE CAN DRAIN BATTERY !**



Settings

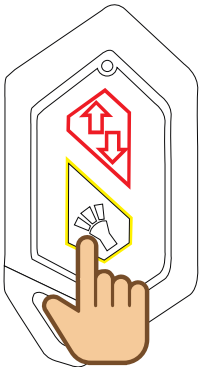
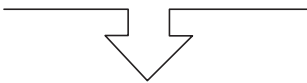
Basic+E-KIT Version ✓

**! CAUTION**

**AI BOARD Bluetooth Activation**

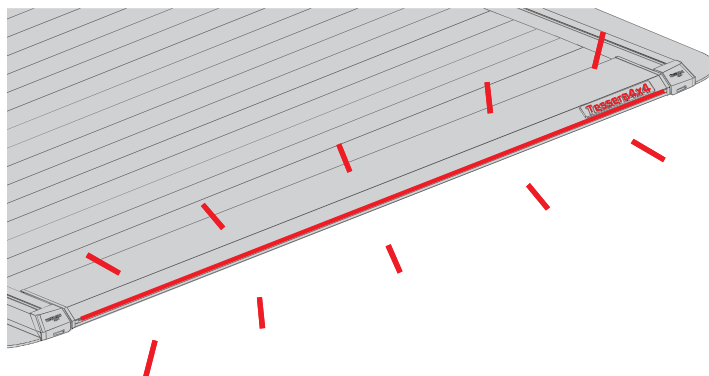
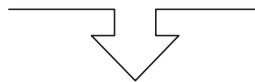
1

Press and hold light button for 8 sec



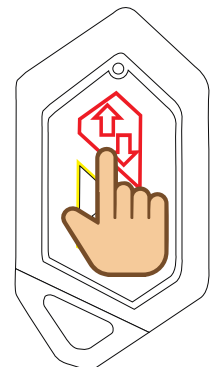
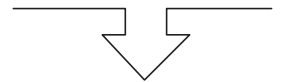
2

Red light bar starts flashing



3

Press open / close button



**CAUTION**

**!!! IMPORTANT SECURITY: Change Bluetooth Default Pin / Password**

4

Go to Tessaera Roll+ app



5

Login or register



6

Add my Tessaera Roll+



7

Press "Get Started"



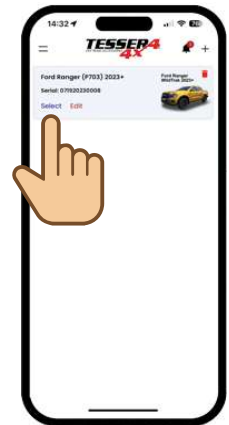
8

Enter or scan your serial number



9

Select your vehicle



10

Connect device



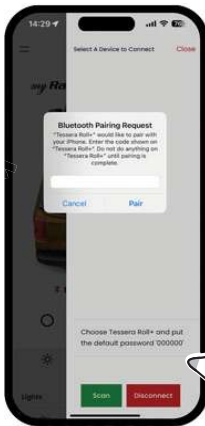
11

Scan & Select Tessaera Roll+



12

Enter Bluetooth default password 000000



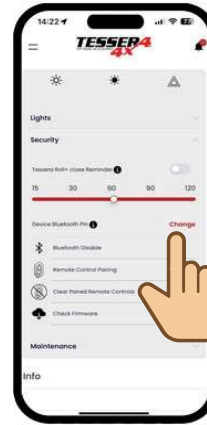
13

Confirm Connectivity



14

Device Bluetooth password change



15

Enter new Bluetooth Password



1st way: Remote Control

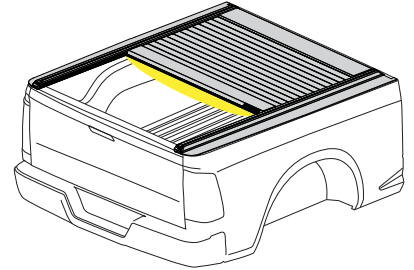
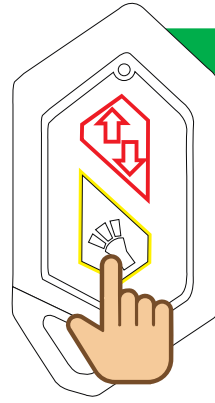
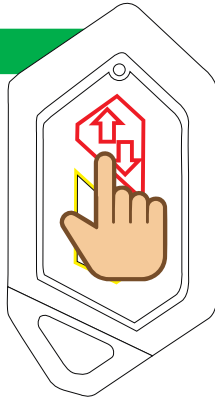
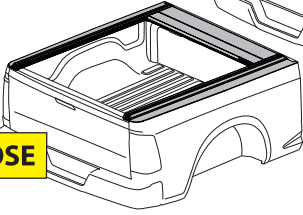
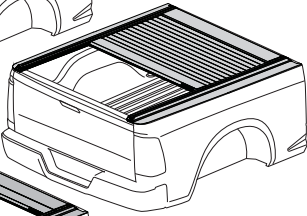
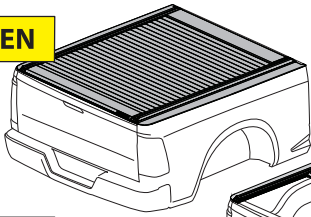
Open / Pause / Close

Internal LED Light Bar ON/OFF

OPEN

PAUSE

CLOSE

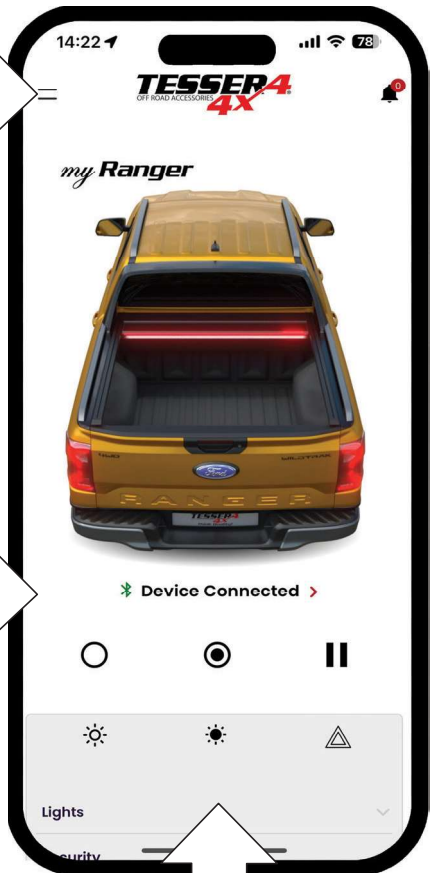


2nd & 3rd way: Mobile App + Voice Commands

Settings

MENU

BLUETOOTH STATUS



OPEN

CLOSE

PAUSE



ON/OFF  
WHITE LED  
LIGHT BAR

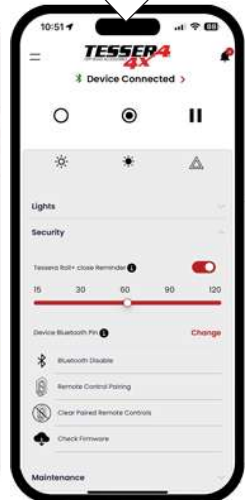
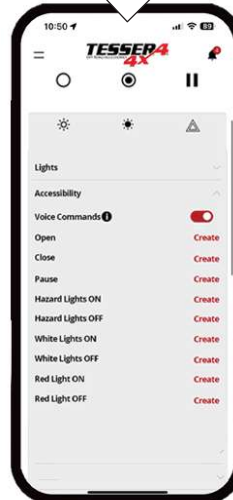
ON/OFF  
RED LED  
LIGHT BAR

ON/OFF  
ALARM

LIGHTS

ACCESSIBILITY  
(Voice Commands)

SECURITY



MAINTENANCE

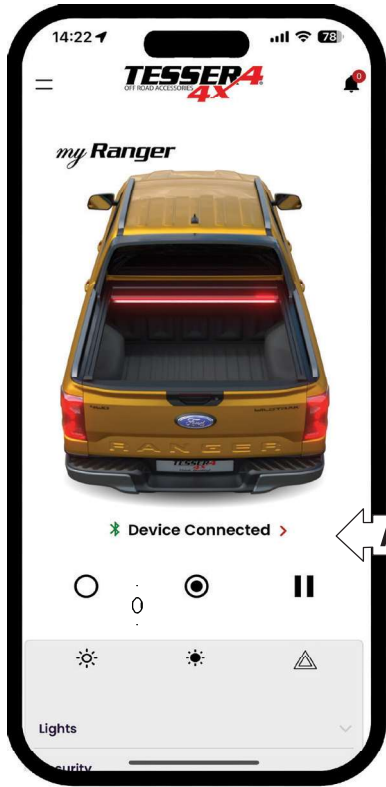
GARAGE

DEALERS

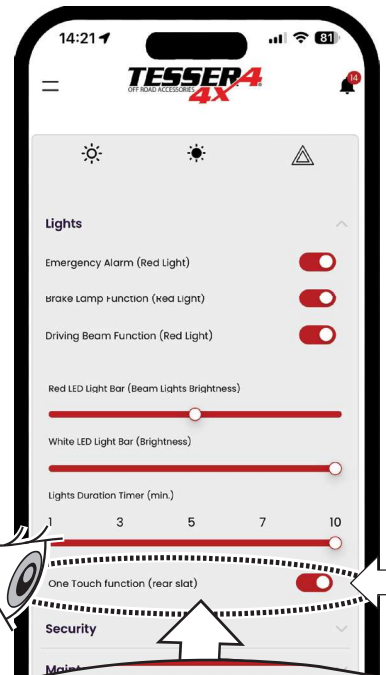
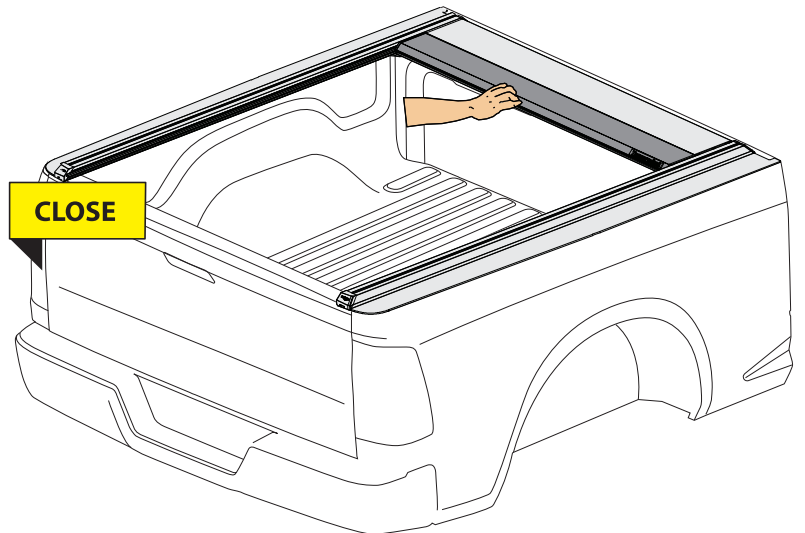
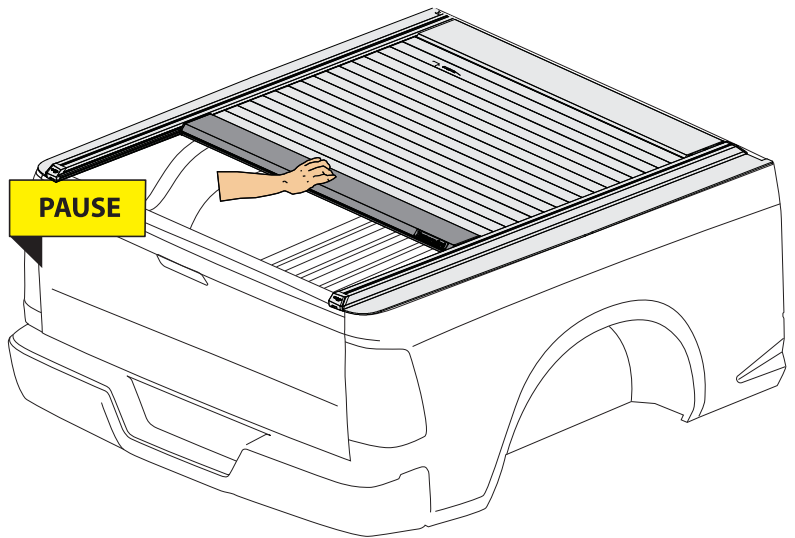
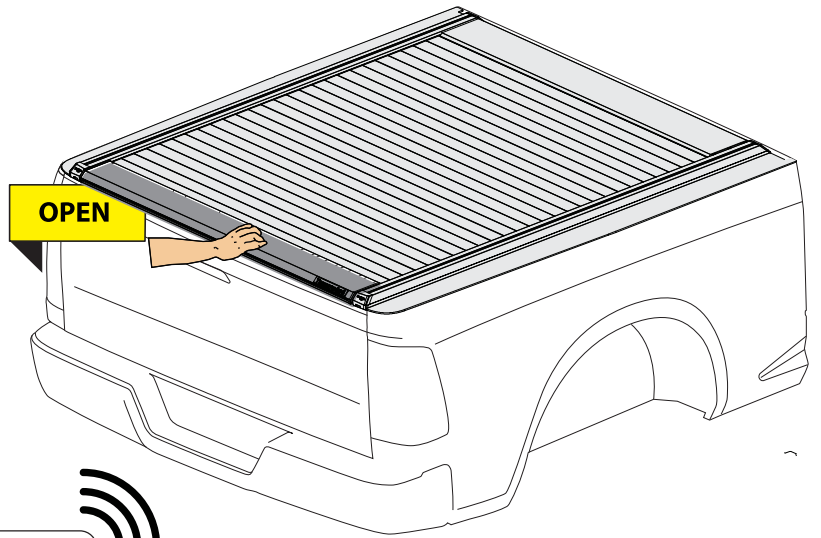


4th way: One Touch

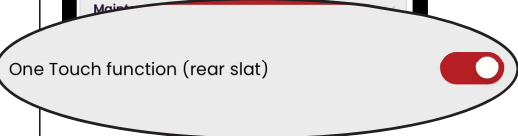
Basic+E-KIT Version ✓

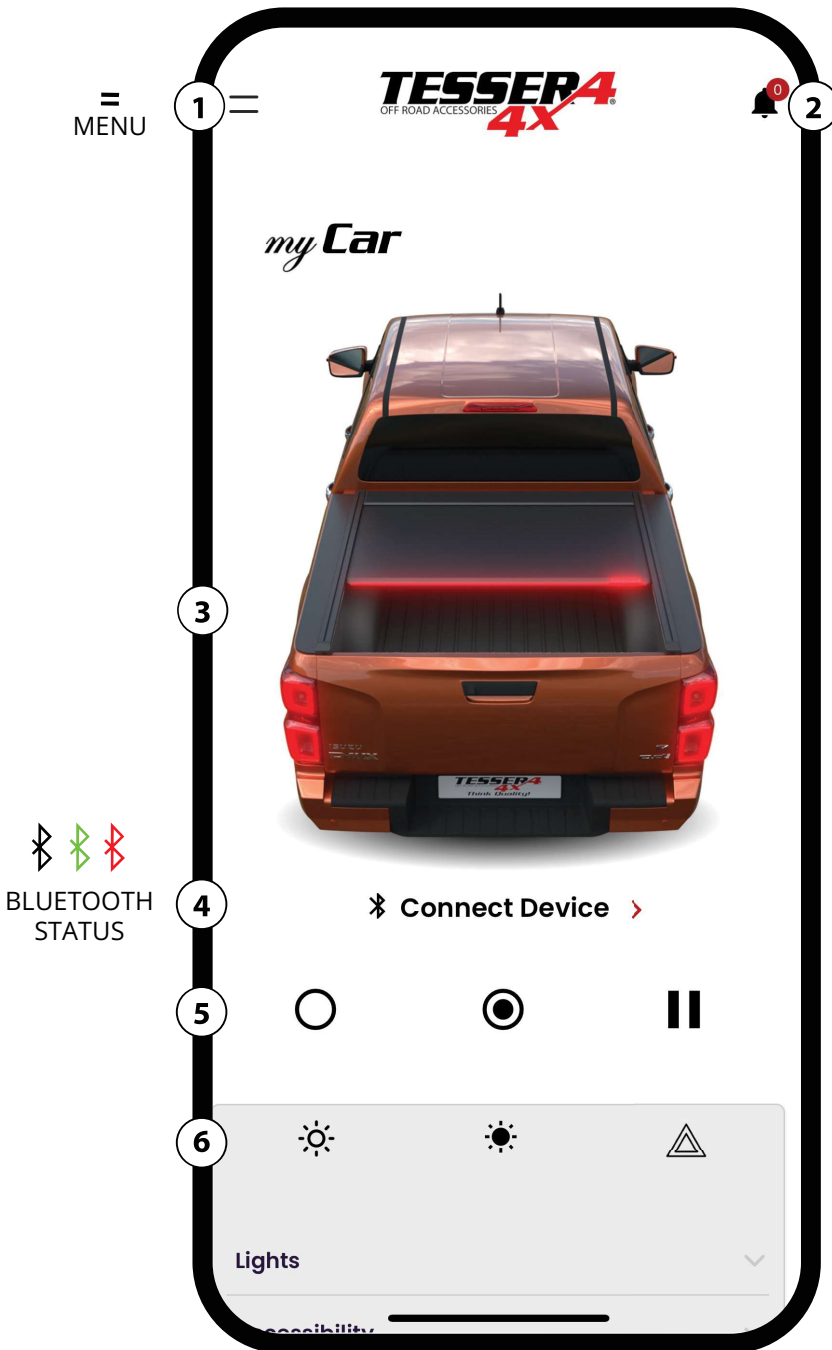


Active + Mobile Range



Function ON





## Home Page

1. Main Menu
2. Notifications Alerts
3. Real-time animation of your **Tessera Roll+** on your own vehicle
4. Bluetooth connection status between your smartphone and **Tessera Roll+**

✖ No Connection

✔ Connected

✖ Disconnected

5. Basic Functions



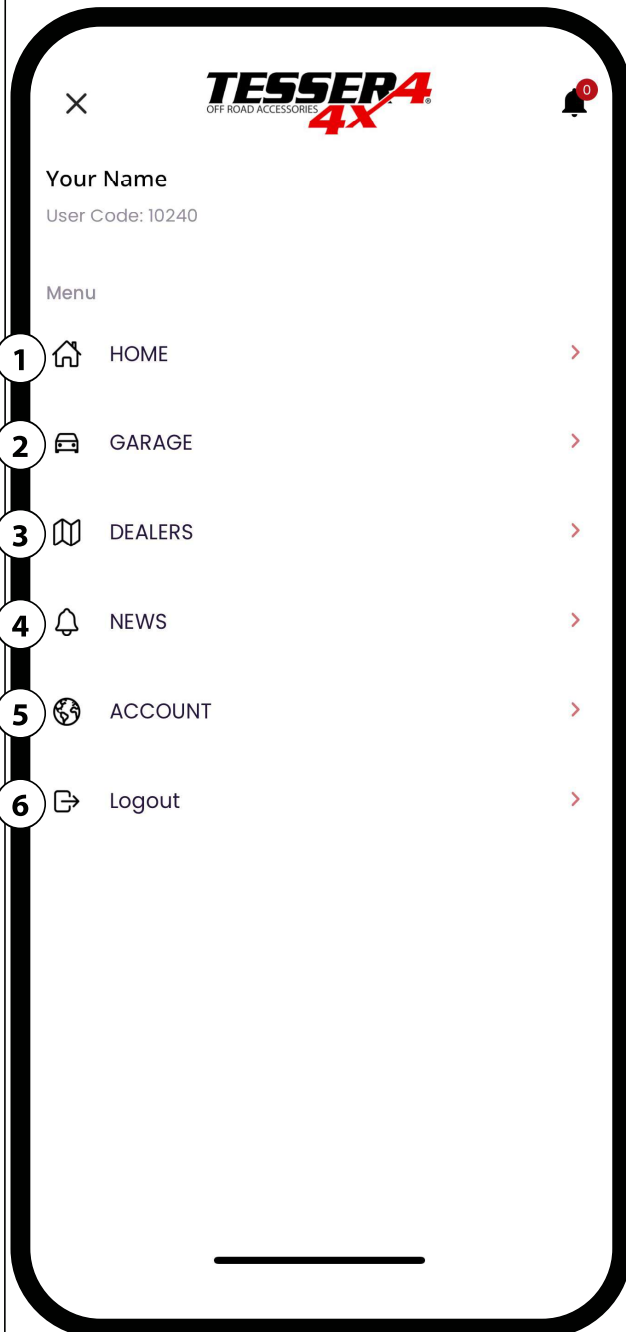
(Open, Close, Pause)

6. On/Off Lighting:

☀ Interior White LED Bar

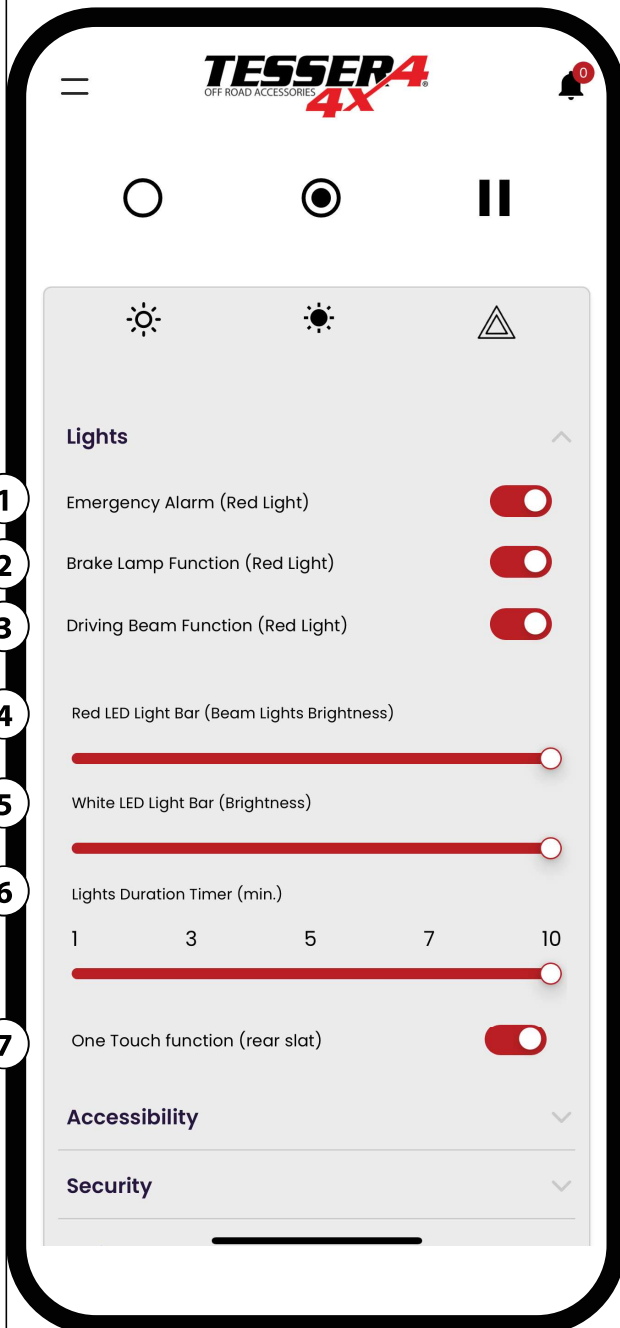
☀ Red LED Bar

⚠ Emergency Lights (Hazard Lights)



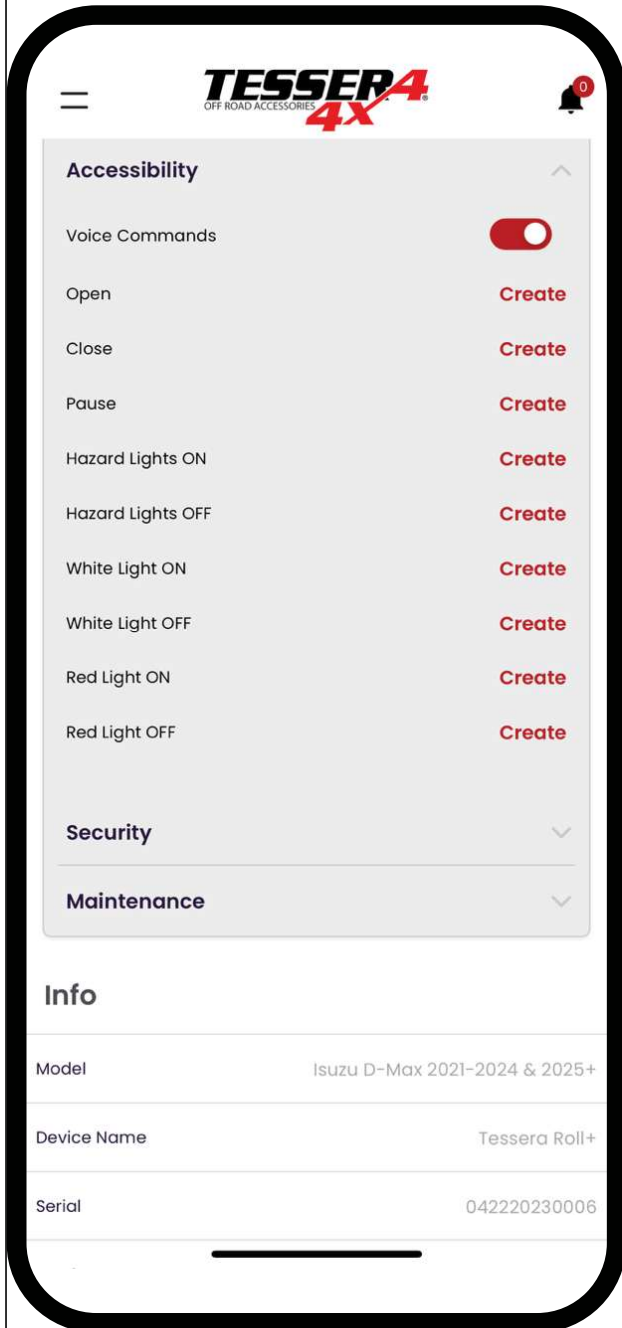
## Main Menu

1. Go to the application's home page
2. View your vehicle fleet  
(if you have more than one vehicle)
3. Find the dealer nearest to you
4. Stay updated with our latest news
5. Manage your account details
6. Logout



## Lights

1. Enable or disable the emergency alarm feature (Hazard Light)
2. Enable or disable the red LED bar as BRAKE Light feature
3. Enable or disable the red LED bar as BEAM Light feature
4. Adjust the brightness of the red LED bar (Beam light)  
(To activate the command, turn the lights switch to OFF, and then return it to the ON position)
5. Adjust the brightness of the white LED bar (The brightness adjustment is applied in real time)
6. Set the auto shut-off timer for the lights in case you forget to turn them ON (red and white LED bars)
7. Enable or disable the one-touch function. This option is only available when your smartphone is connected via Bluetooth and within Bluetooth range, for security reasons



## Accessibility

Enable and create your own voice commands for all functions of your **Tessera Roll+**

## Security

1. Enable or disable alert notifications (reminder) that warn you when the **Tessera Roll+** is left open

2. Set the number of minutes after which you want to receive an alert notification on your smartphone if the **Tessera Roll+** is left open

3. Change the Bluetooth connection password.

**Caution:** For security reasons, it is strongly recommended to replace the default password (000000) with a custom one

4. Enable or disable the double-click open/close function on the remote control. This feature helps prevent accidental operation of your **Tessera Roll+**

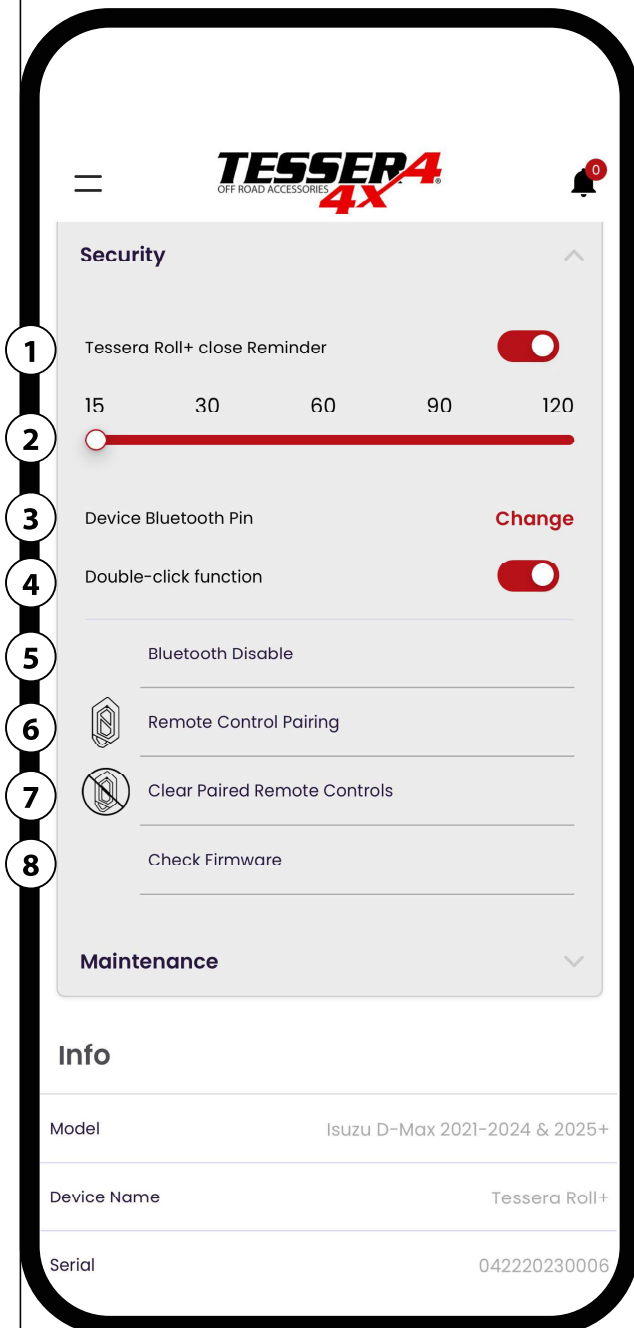
5. Disable Bluetooth on **Tessera Roll+** (A.I. Board). Operation only with remote controls

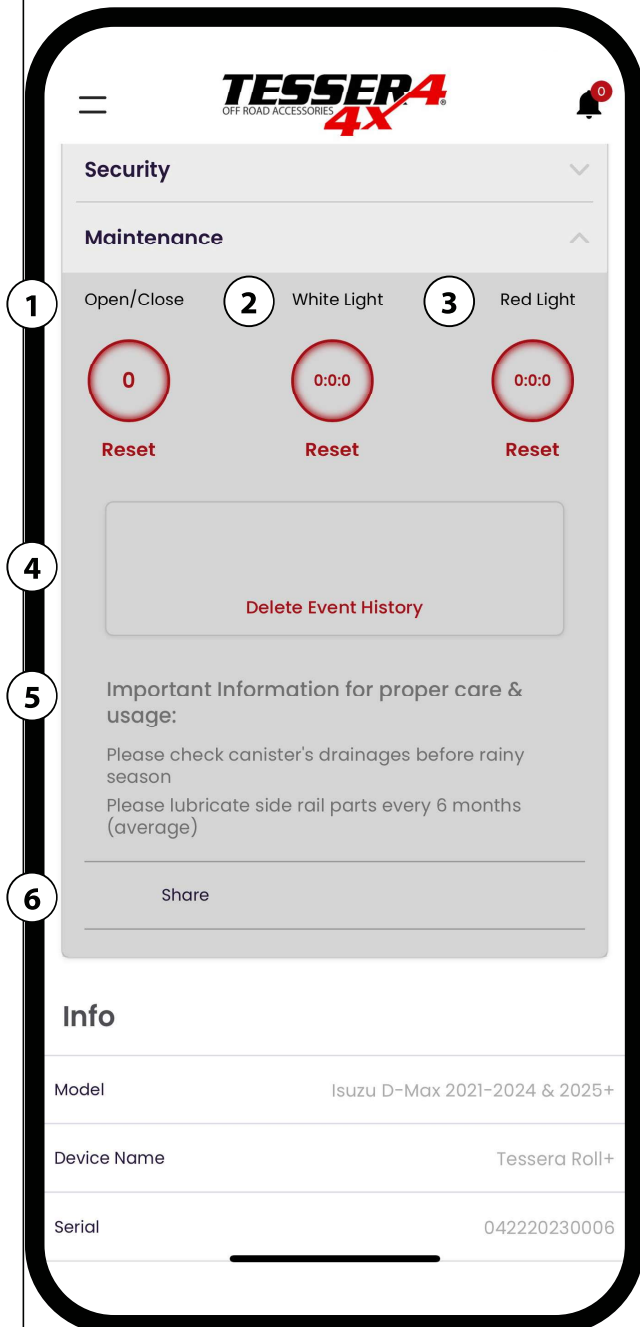
6. Pair new remote controls in case one is lost, or if you wish to use additional remotes

7. Clear all paired remote controls. This action clears the memory of all previously connected remote controls (store up to 8 devices)

8. Check the firmware version of the AI Board to ensure you have the latest update. If a newer version is available, install it via the mobile app while your smartphone is within Bluetooth range, and **Tessera Roll+** is in open position

**Caution:** It is strongly recommended to check for updates regularly to ensure optimal performance & compatibility





## Maintenance

1. View the opening and closing operation cycles of your **Tessera Roll+**
2. Check the total operating time of the interior white LED bar
3. Check the total operating time of the red LED bar
4. Delete all event history related to alerts and maintenance issues
5. General Terms for proper usage and care for your **Tessera Roll+**
6. Share the operation history and log files directly with your dealer or headquarters in case of a **Tessera Roll+** malfunction

## Information about Tessera Roll+

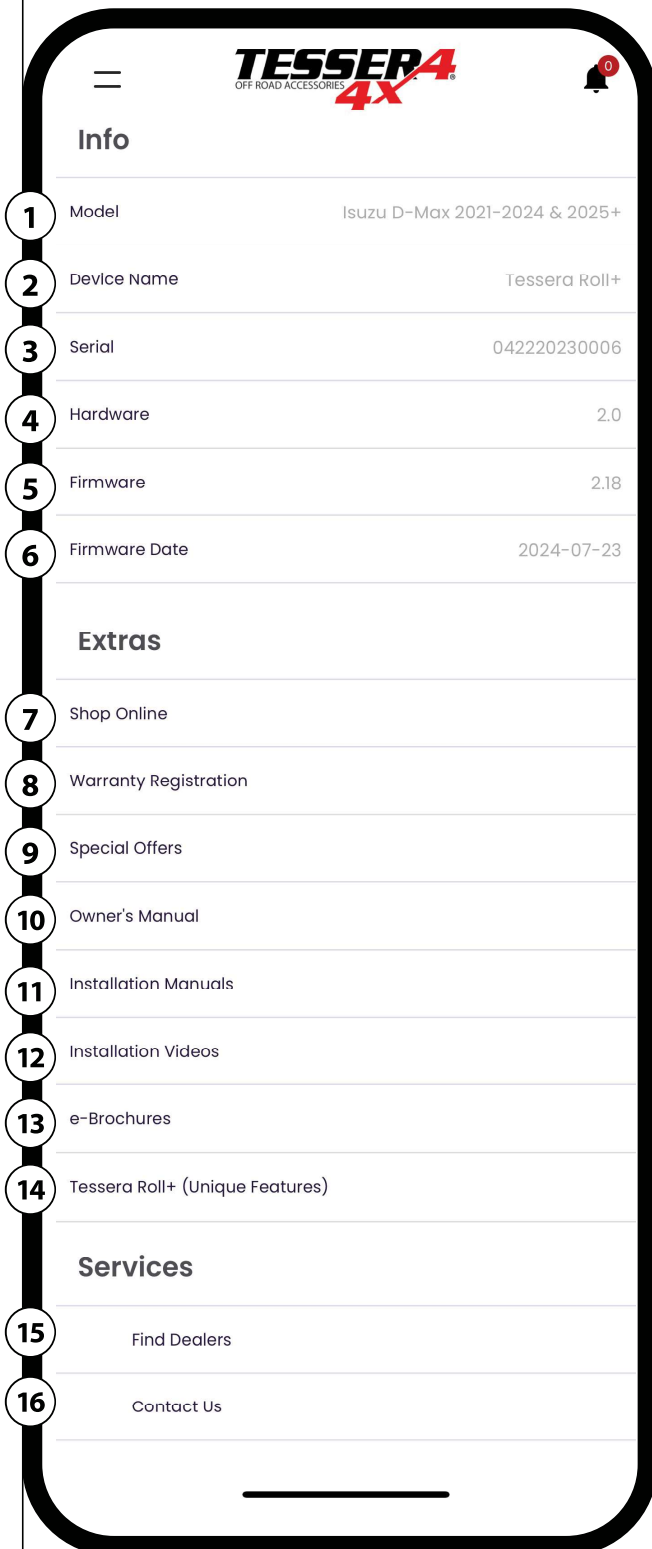
1. Vehicle Model
2. Name of your **Tessera Roll+**
3. Serial Number
4. Hardware Version
5. Firmware Version
6. Firmware Release Date

## Extras

7. Visit our website ([www.tessera4x4.com](http://www.tessera4x4.com)) and shop online
8. Register your product details and activate your warranty
9. View our offers
10. Read or download your product's owner's manual
11. Read or download your product's installation manual
12. Watch our installation videos on our YouTube channel
13. Read or download the e-brochures of our products
14. Visit our YouTube channel and watch videos showcasing the unique features of our products

## Services

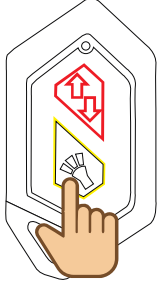
15. Find the dealer nearest to you
16. Contact us (headquarters)



**Bluetooth deactivation**

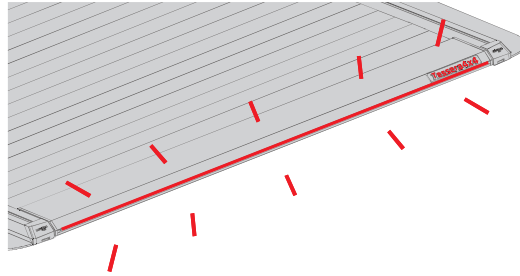
1

Press and hold light button for 8 sec



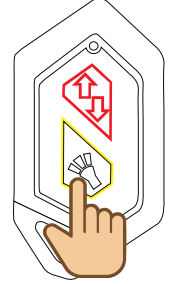
2

Red light bar starts flashing



3

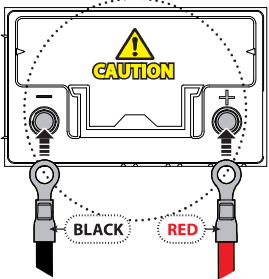
Press light button



**Keyfob Auto Pairing Mode**

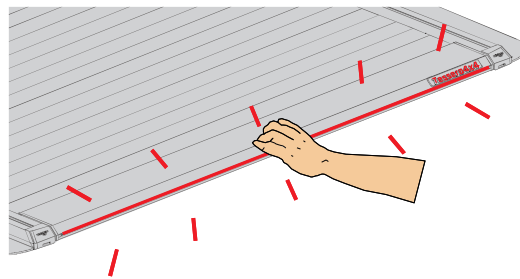
1

Connect to battery



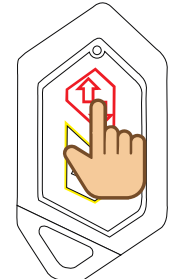
2

Red light bar starts flashing. Within 30 sec press rear slat to enter pairing mode

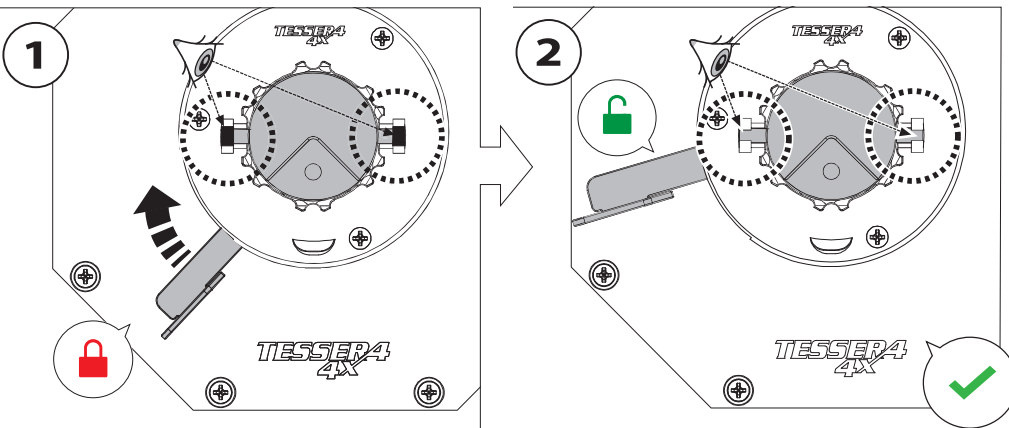


3

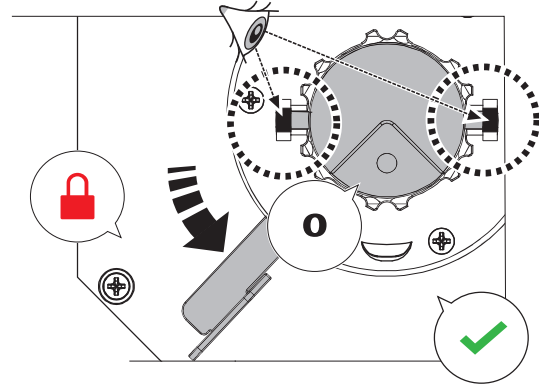
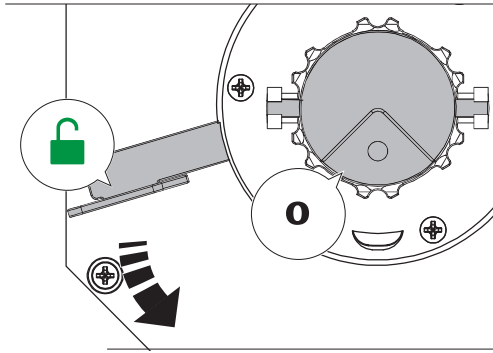
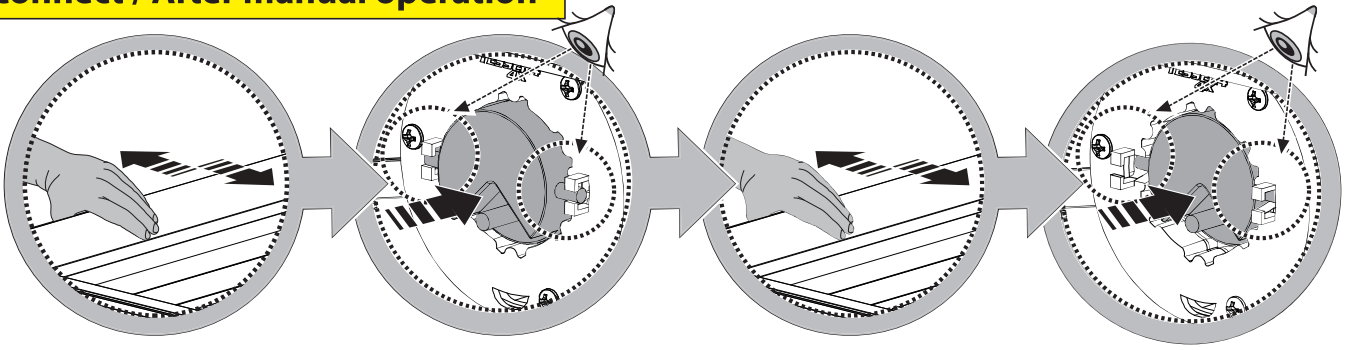
Press open /close button



**Release / Manual operation**



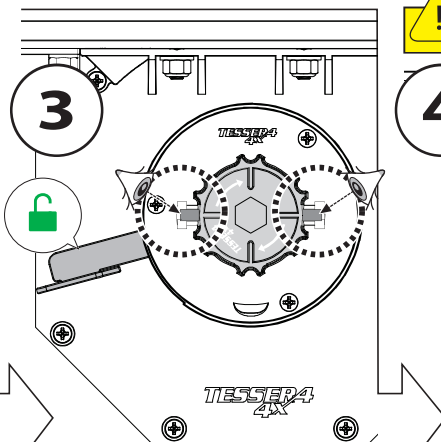
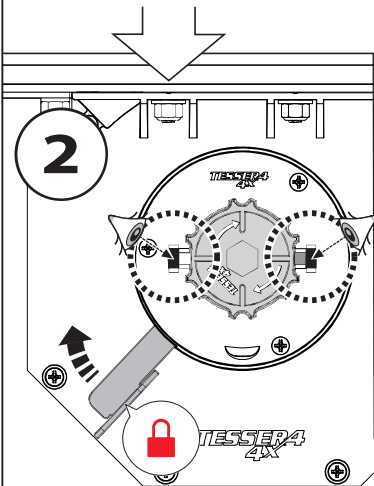
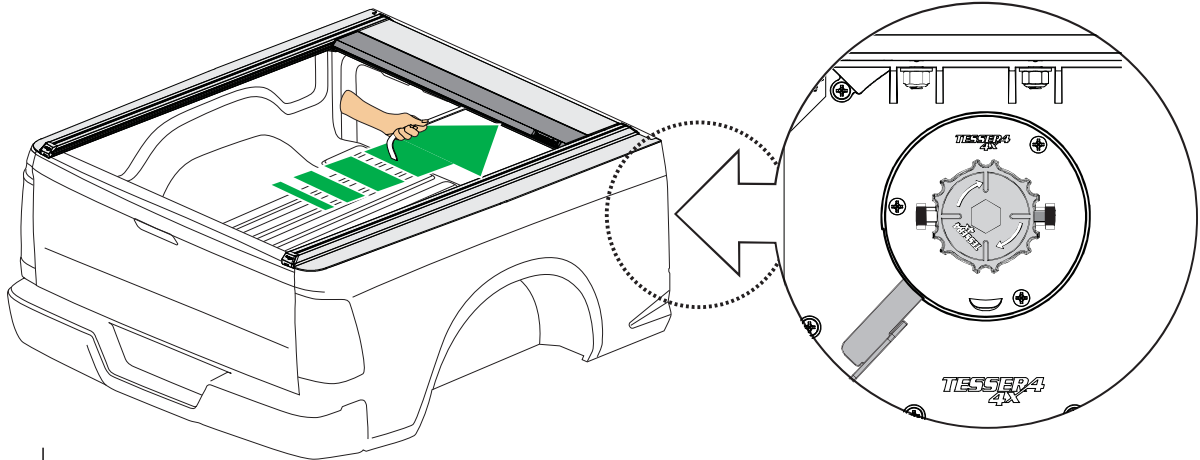
**Reconnect / After manual operation**



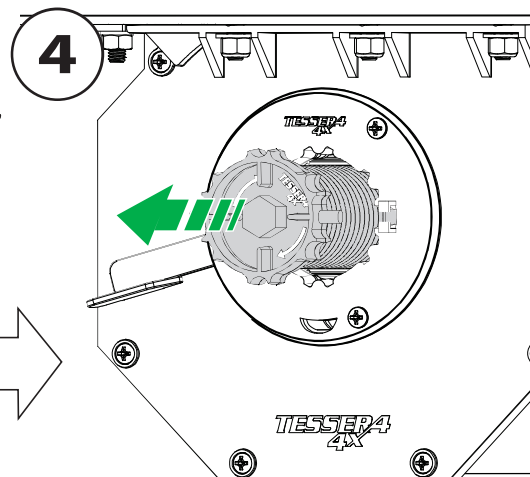
**Transformations between Versions**

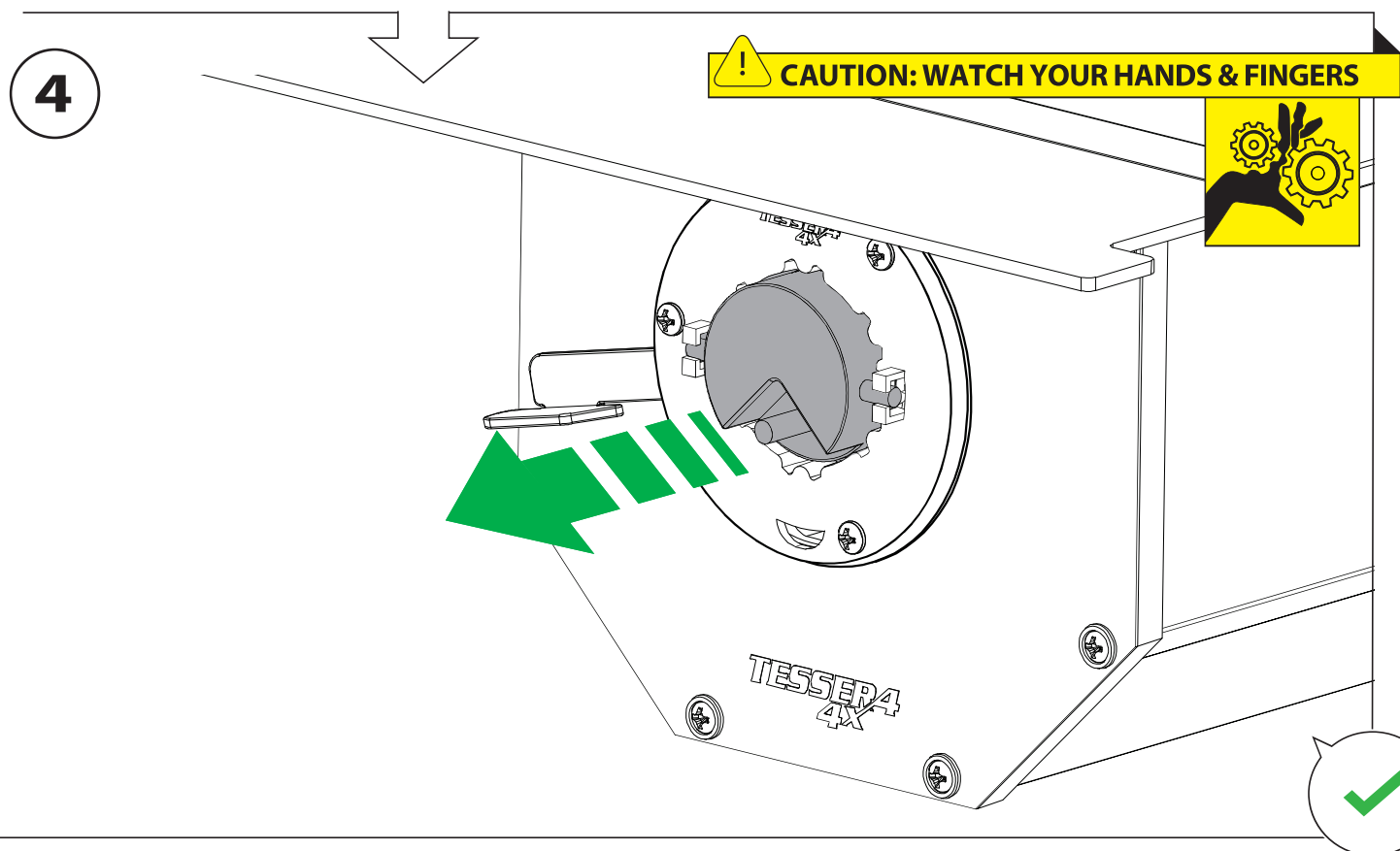
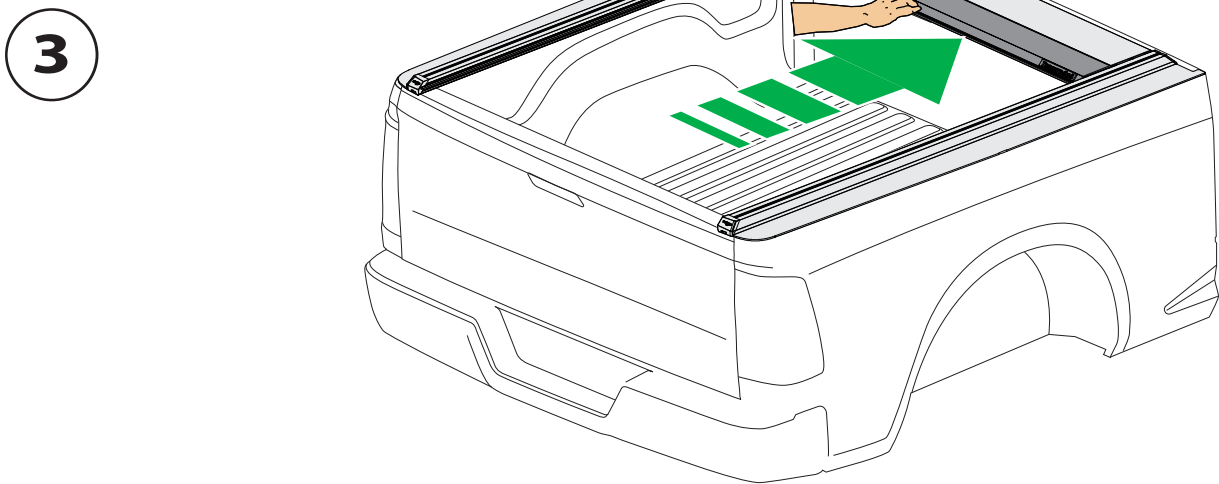
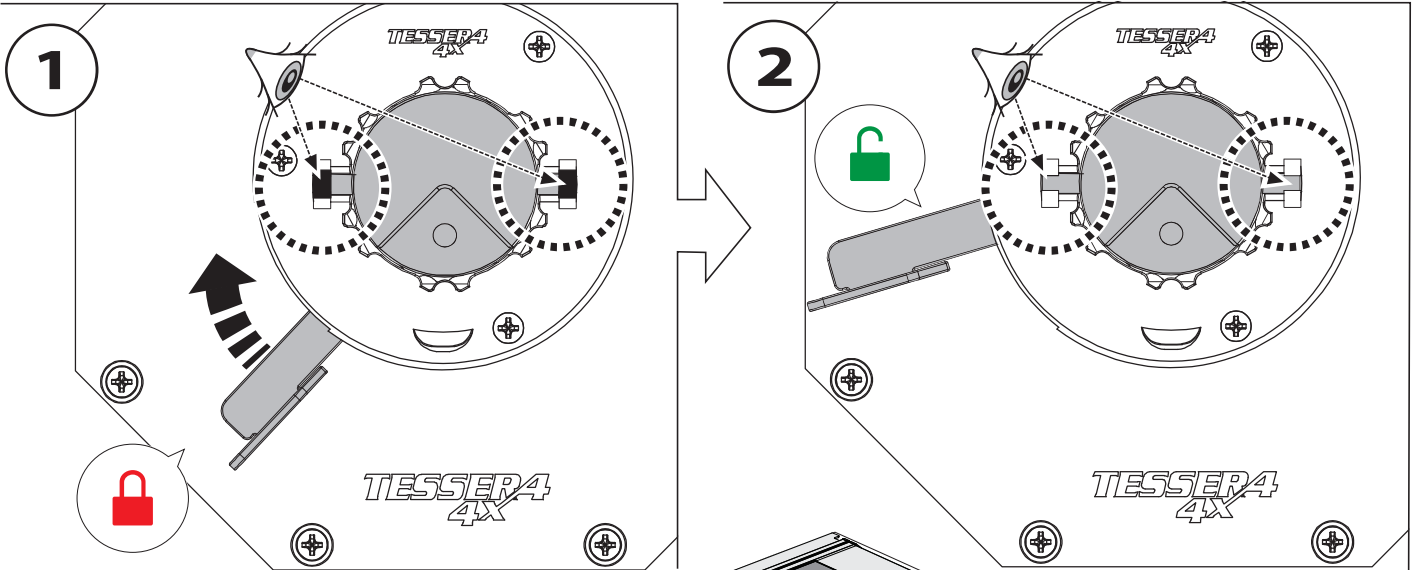
**Basic+S-KIT Version** ✓

**BASIC+S-KIT VERSION** → **BASIC VERSION**

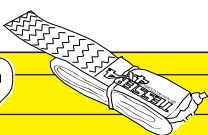
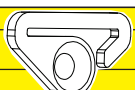
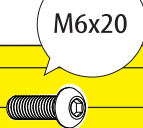


**! CAUTION: WATCH YOUR HANDS & FINGERS**

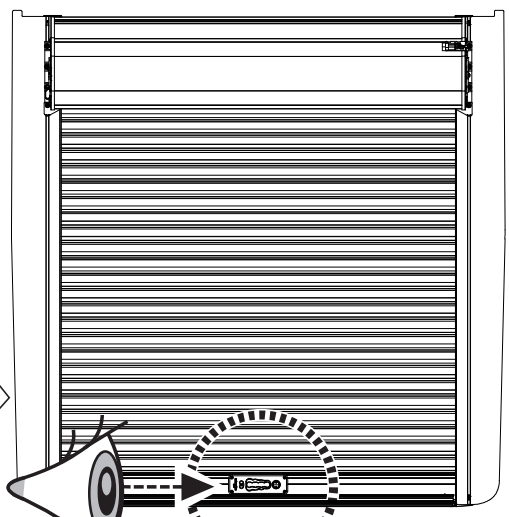
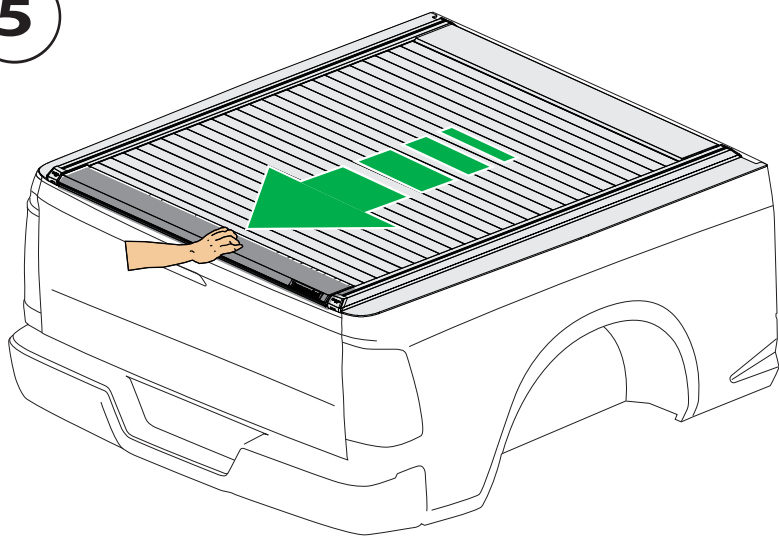




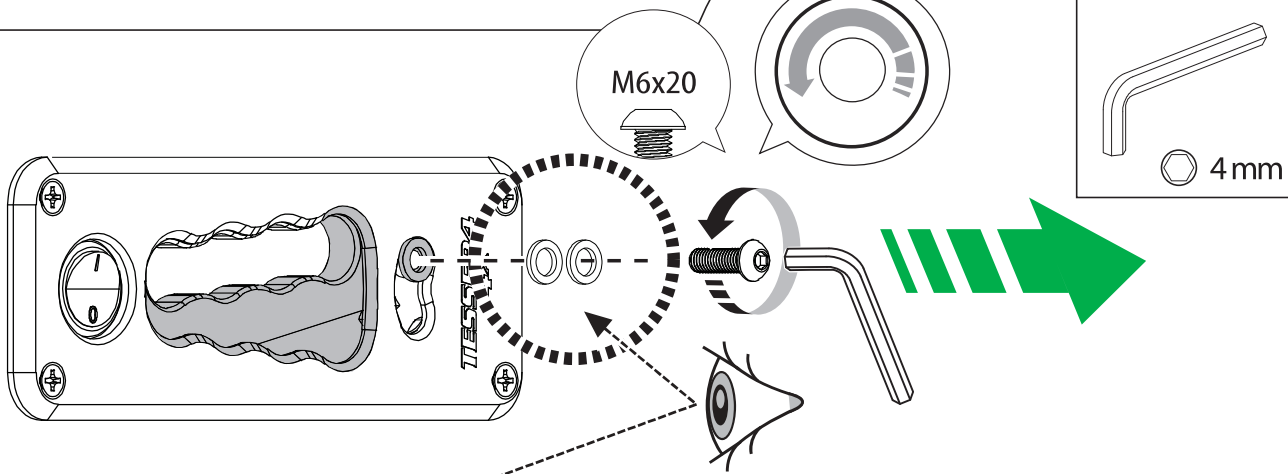
USE FROM



5

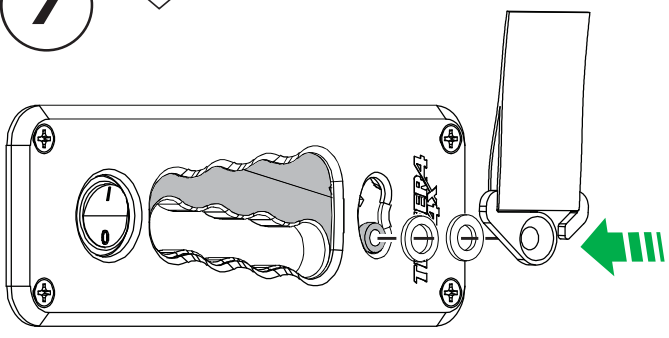


6

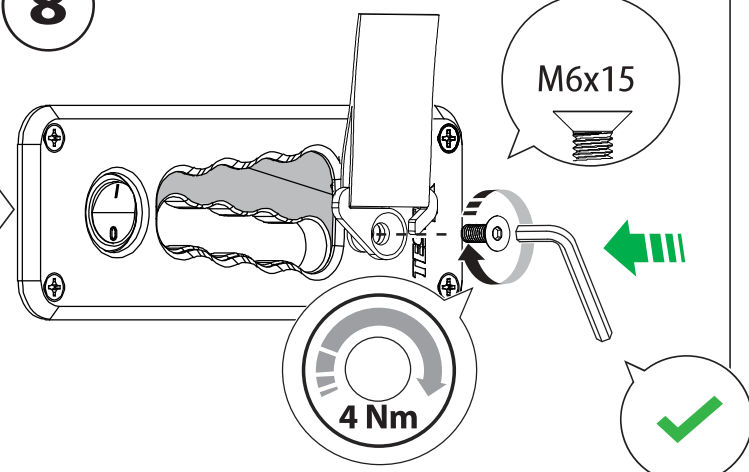


CAUTION !!! KEEP

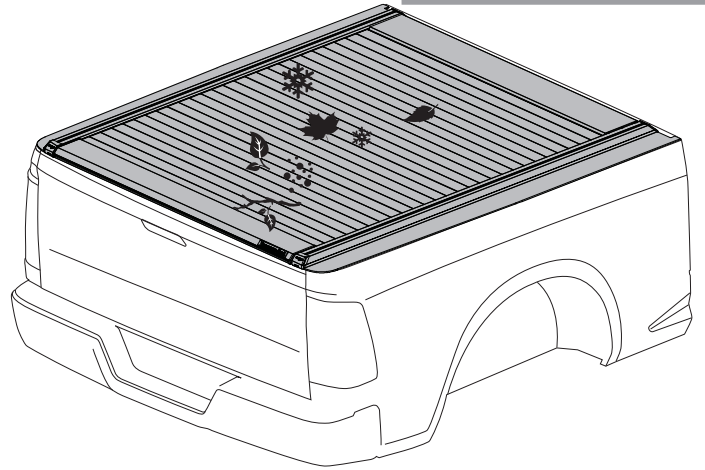
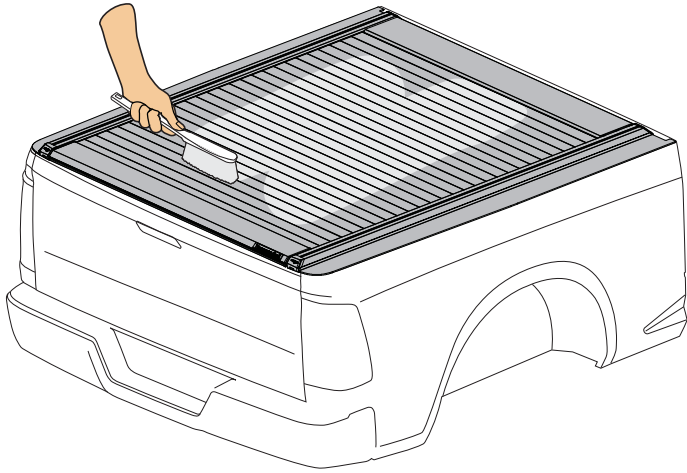
7



8



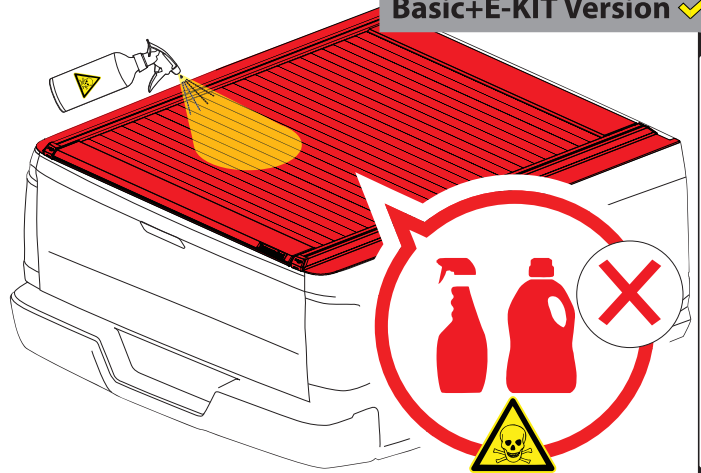
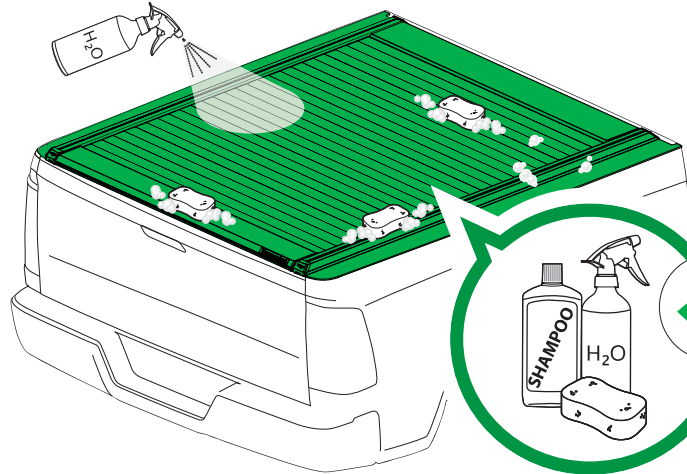
Maintenance



Basic Version ✓

Basic+S-KIT Version ✓

Basic+E-KIT Version ✓



Basic Version ✓

Basic+S-KIT Version ✓

Basic+E-KIT Version ✓

! CAUTION No Acid Liquids

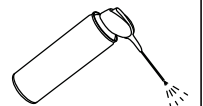
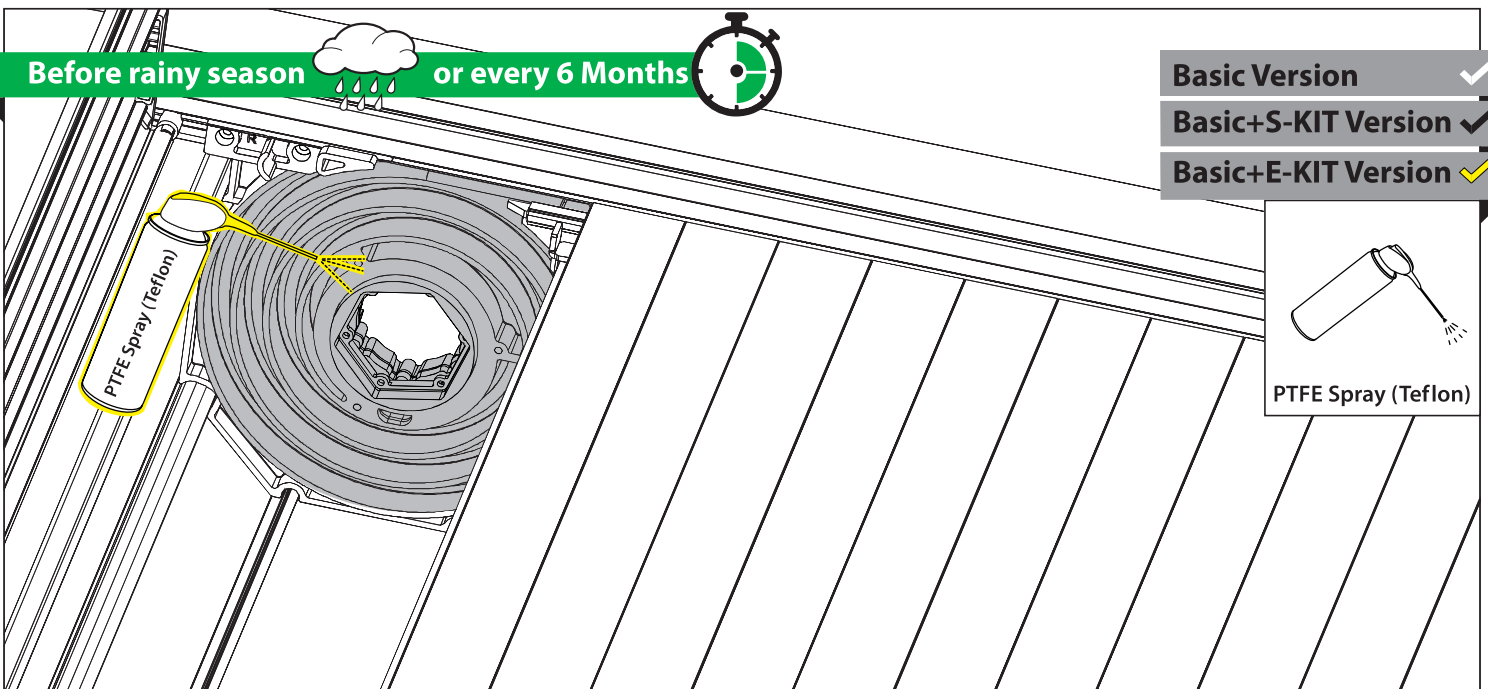
Before rainy season or every 6 Months



Basic Version ✓

Basic+S-KIT Version ✓

Basic+E-KIT Version ✓



PTFE Spray (Teflon)

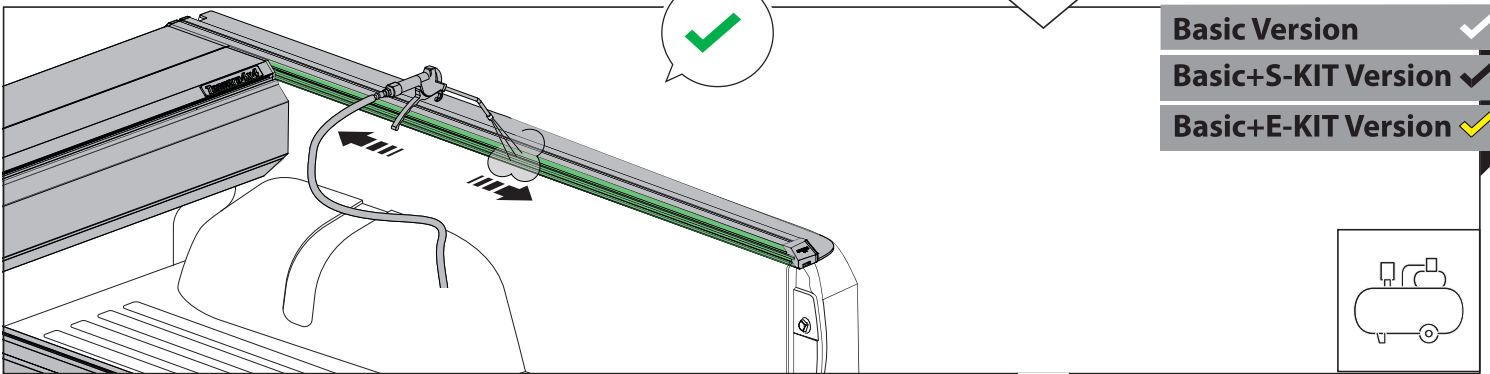
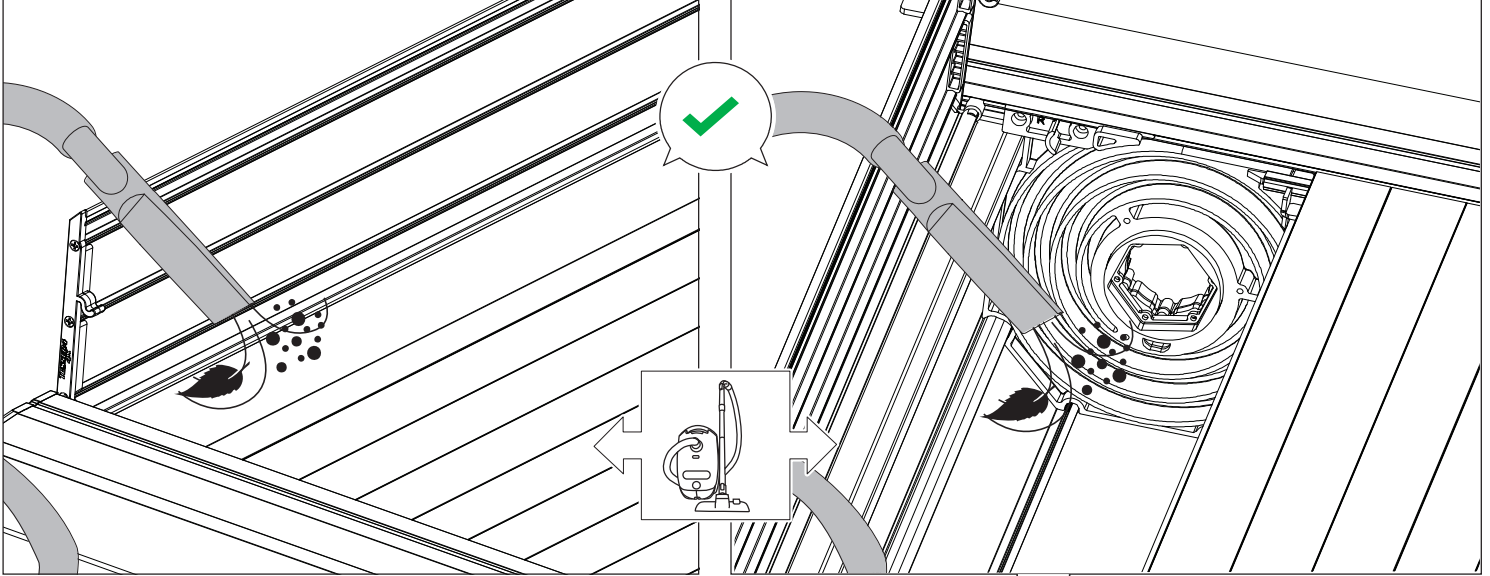
Maintenance

Basic Version ✓

Basic+S-KIT Version ✓

Basic+E-KIT Version ✓

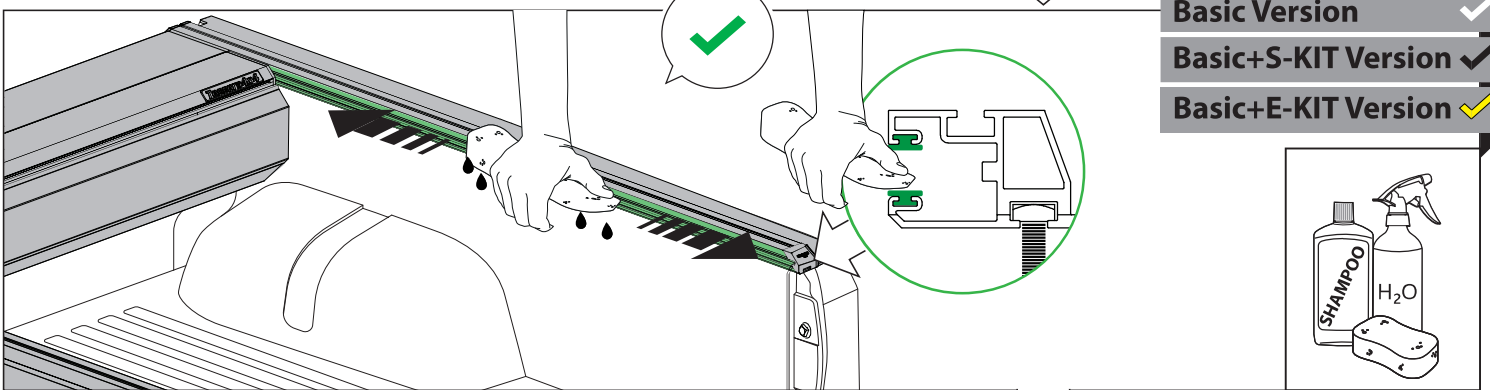
Before rainy season  or every 6 Months 



Basic Version ✓

Basic+S-KIT Version ✓

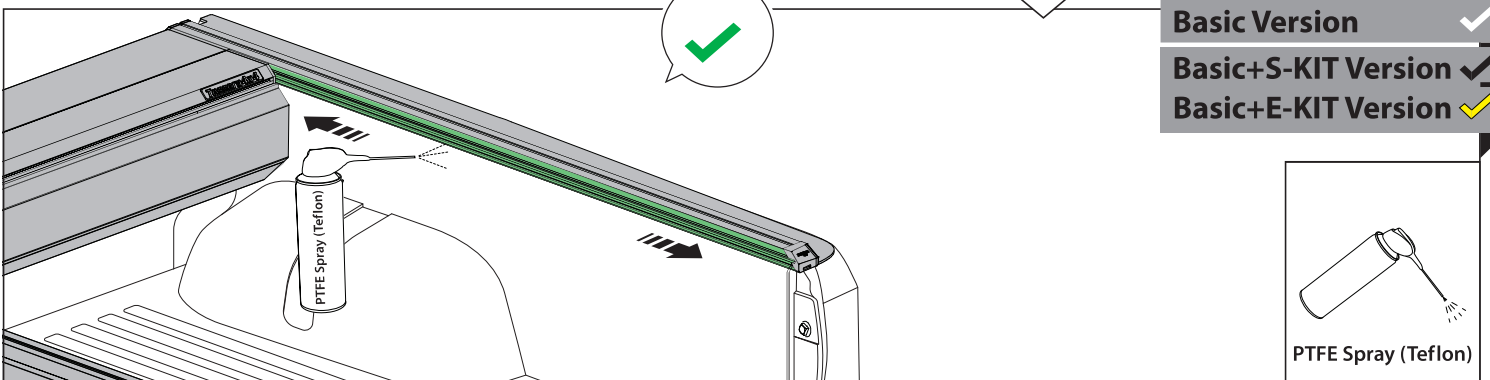
Basic+E-KIT Version ✓



Basic Version ✓

Basic+S-KIT Version ✓

Basic+E-KIT Version ✓



Basic Version ✓

Basic+S-KIT Version ✓

Basic+E-KIT Version ✓

PTFE Spray (Teflon)



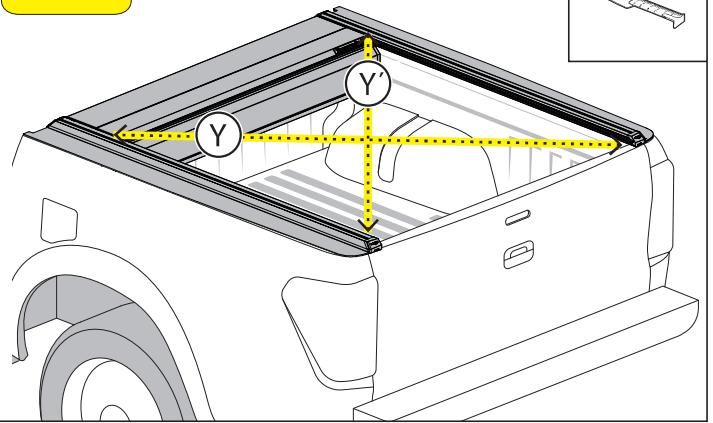
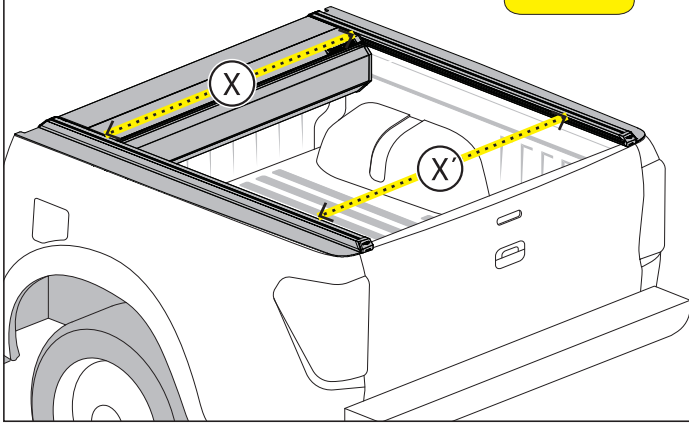
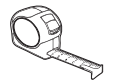
Every 12 Months

CAUTION



$X=X'$

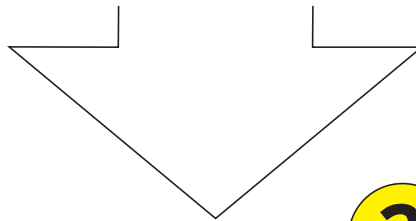
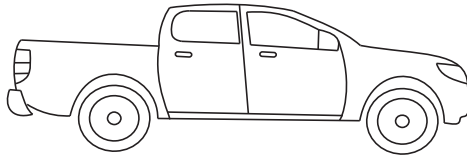
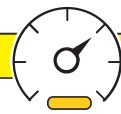
$Y=Y'$



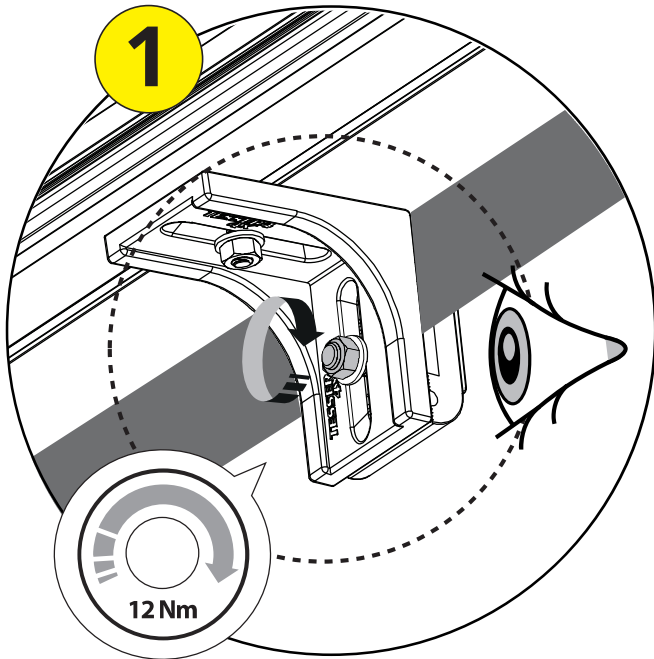
+1000 km



+15000 km

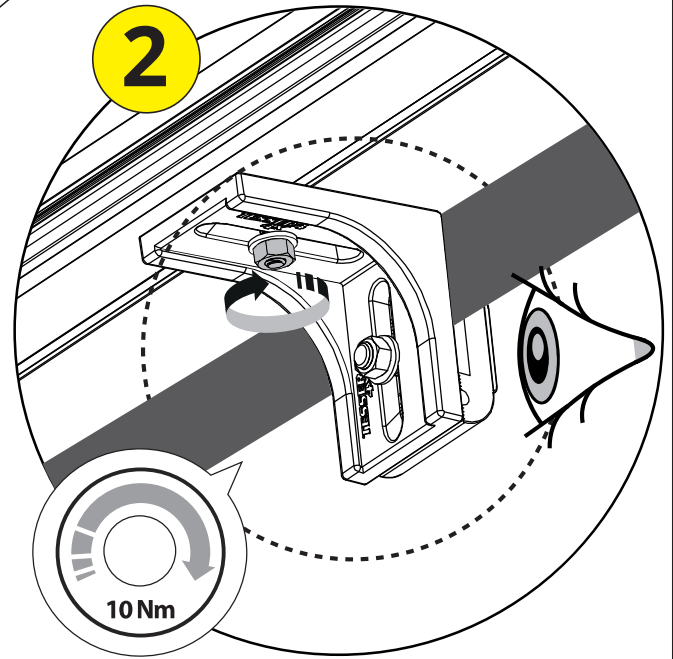


1



12 Nm

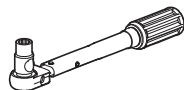
2



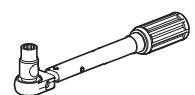
10 Nm



17 mm

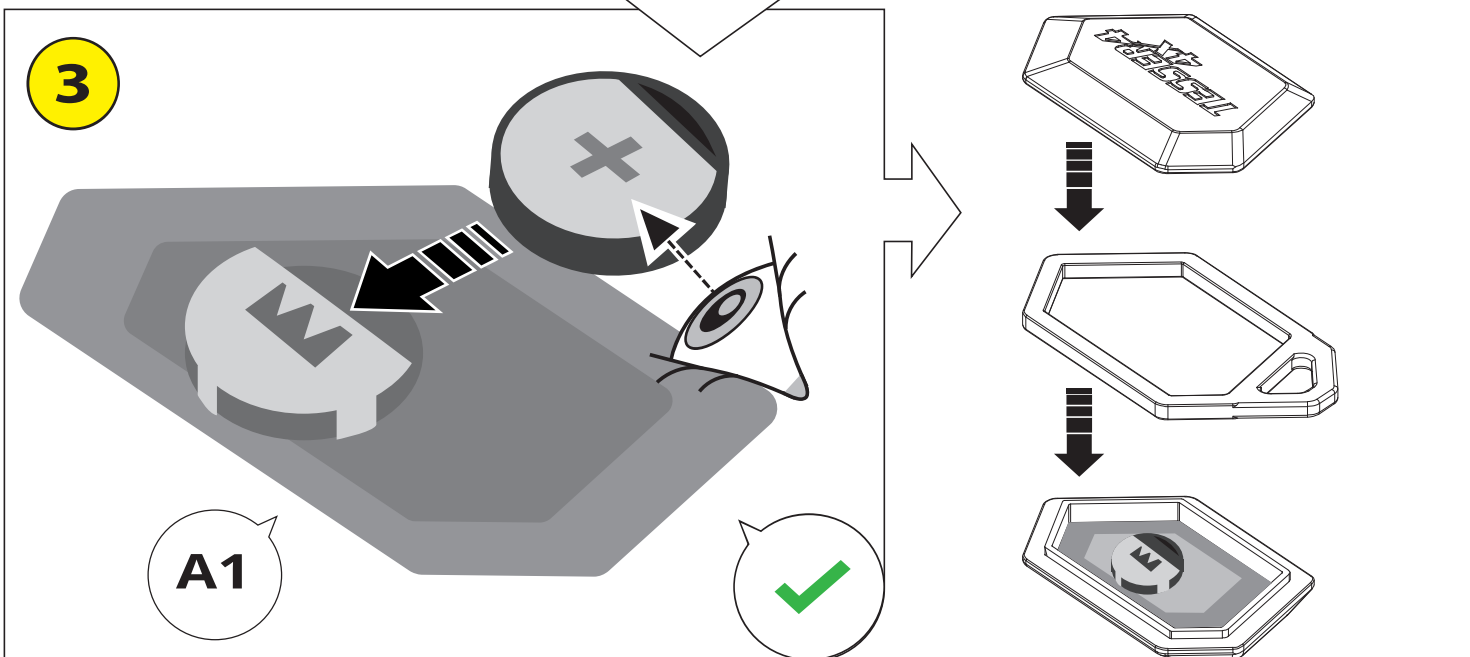
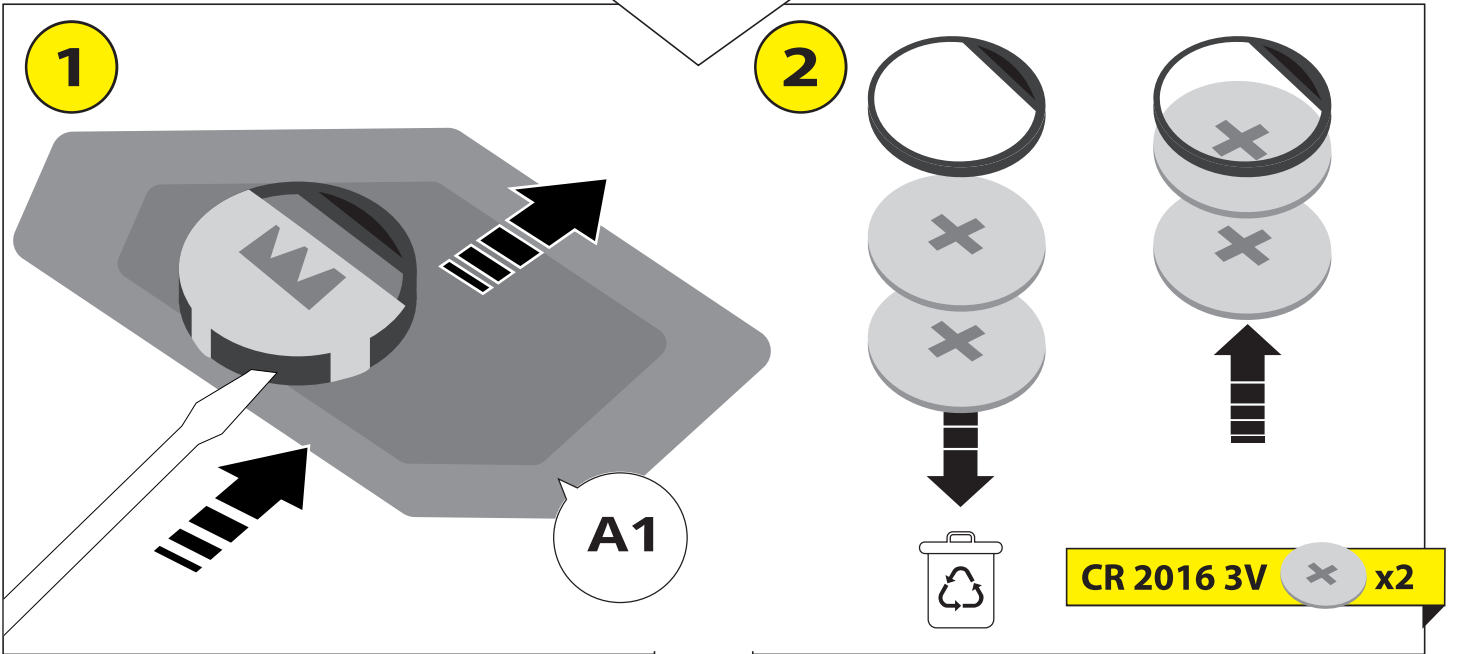
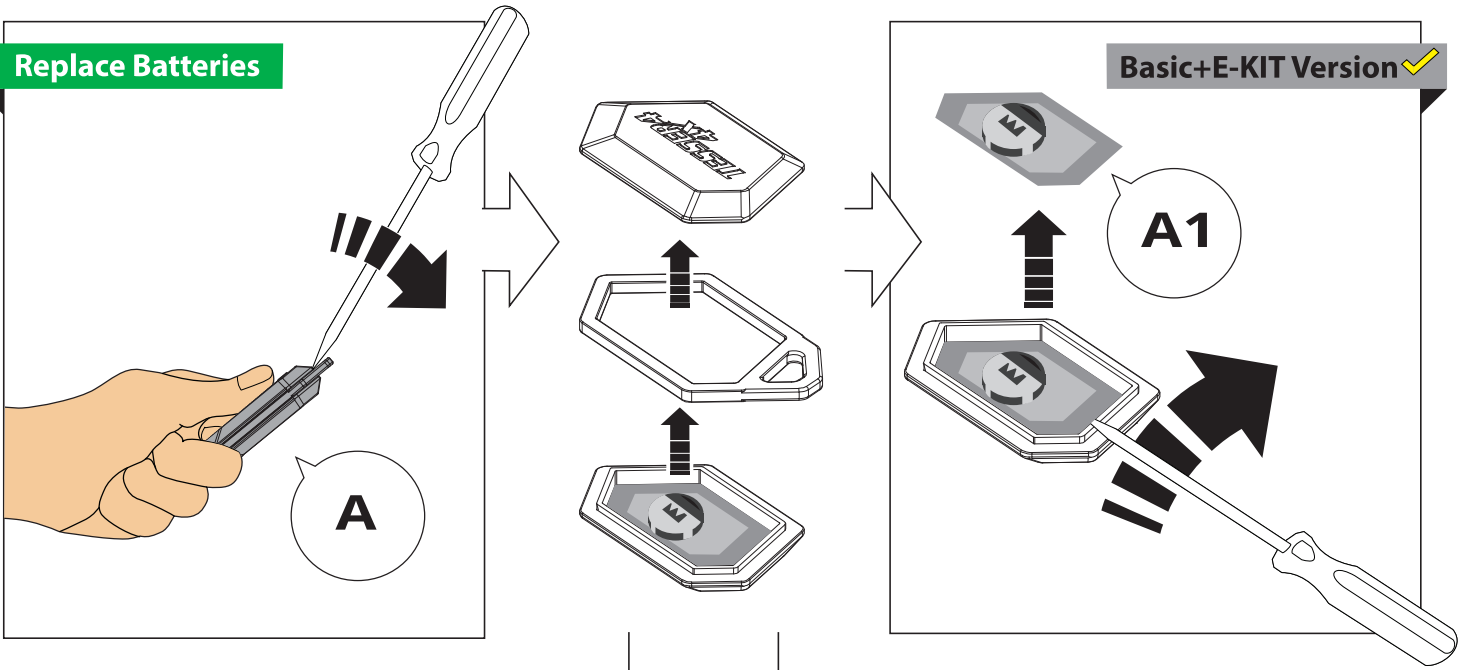


13 mm



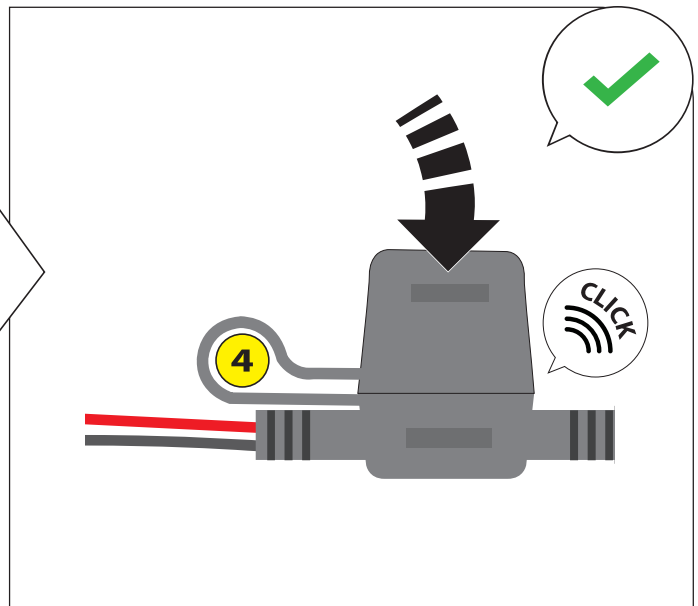
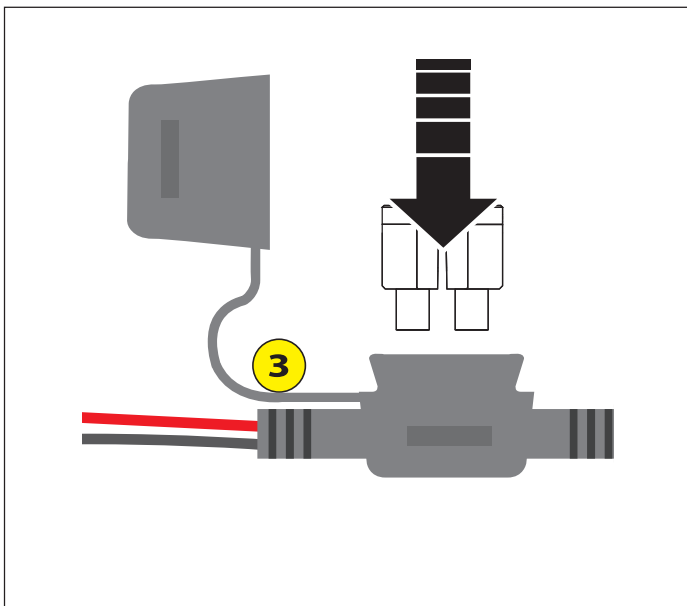
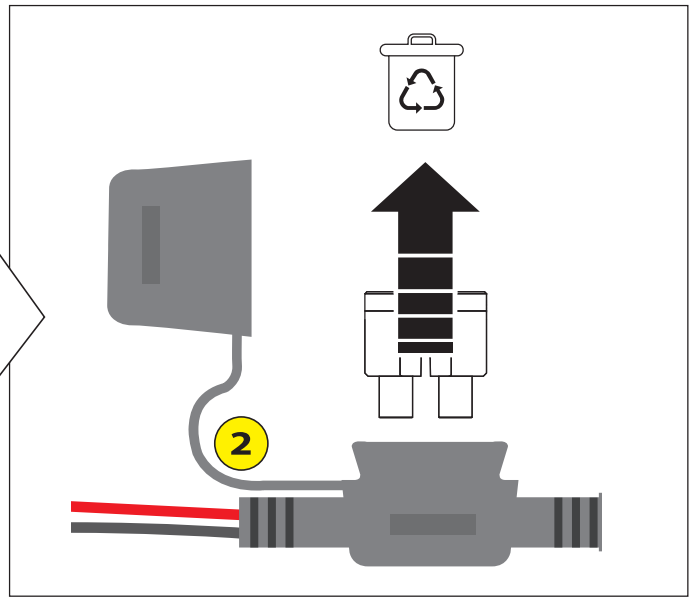
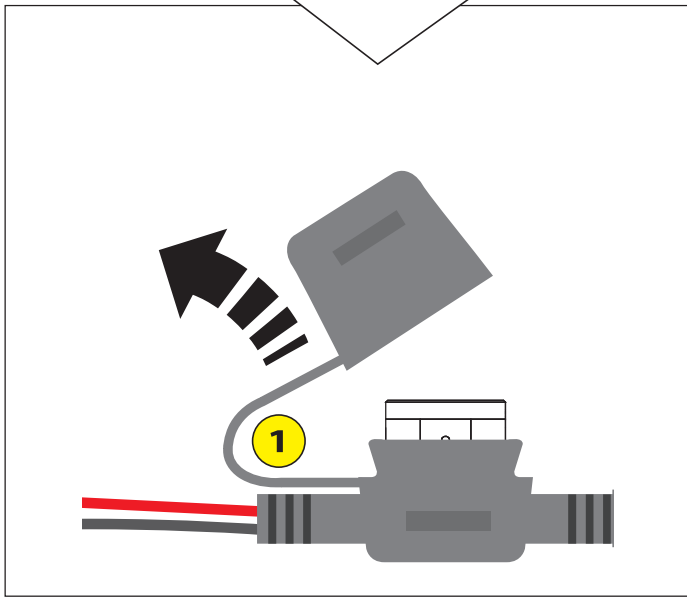
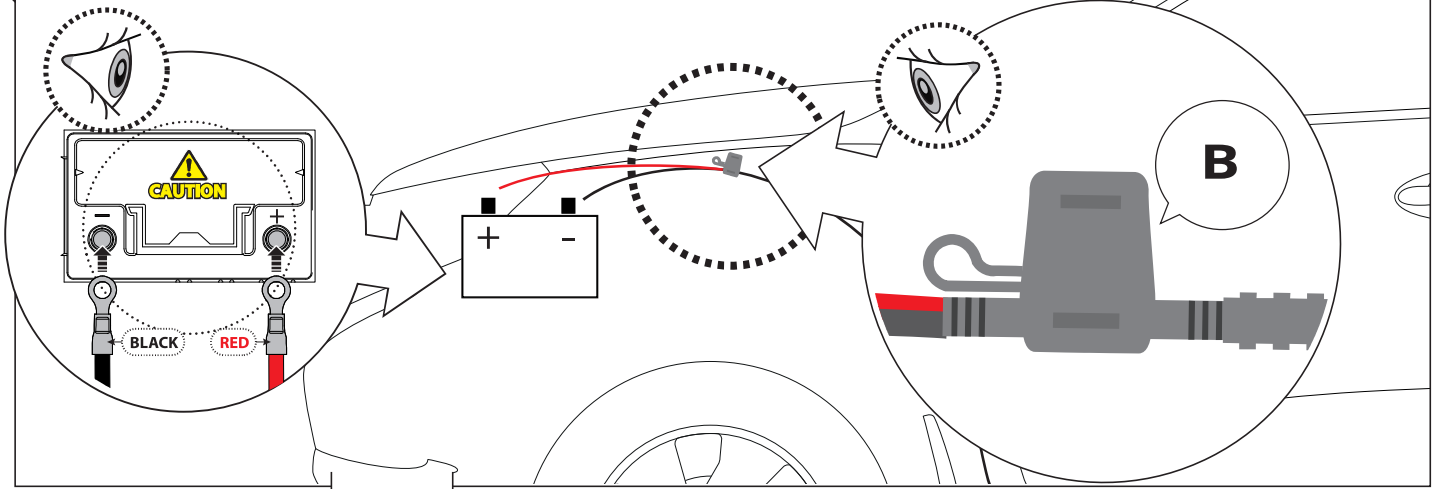
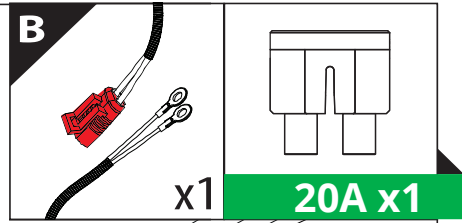
# Replace Batteries

Basic+E-KIT Version ✓



# Replace Fuse

- Basic Version ✓
- Basic+S-KIT Version ✓
- Basic+E-KIT Version ✓







**GR:** Εγχειρίδιο χρήσης  
**GB:** Owners Manual  
**SF:** Manuaalinen  
**F:** Manuel d'utilisation  
**PL:** Instrukcja obsługi  
**NL:** Handleiding  
**TR:** Kullanıcı kılavuzu  
**S:** Bruksanvisning  
**E:** Manual de usuario

**H:** Használati utasítás  
**P:** Manual de utilização  
**RUS:** Руководство пользователя  
**N:** Brukerveiledning  
**D:** Gebrauchsanleitung  
**CZ:** Návod k použití  
**I:** Manuale d'uso  
**DEN:** Monteringsvejledning  
**RO:** Manual de utilizare

Customer Service: +30 (210) 5541161, +30 (210) 5541154 (08:00 - 16:00 EET)

---

Support department: info@gianso.gr

---

Website: www.tessera4x4.com

---

Address: 19.5 km of National road Athens-Korinthos (Elefsina) Greece, P.C: 19200