

LAZER

HIGH PERFORMANCE LIGHTING

ST12 Evolution



An exciting addition to the ST range of road-legal driving lights, the ST12 Evolution at just under 21" is the ideal choice for people looking for either: the ultimate road-legal lighting solution, in the form of a pair of lamps mounted across a roof bar, or customers looking for a single light bar option which alone delivers 1 lux to just under 500m. Despite its impressive range, the spread and even distribution of light in the short and mid-range make the ST12 the premium choice for everyday road and off-road applications.



HIGH PERFORMANCE
LED DRIVING LAMPS

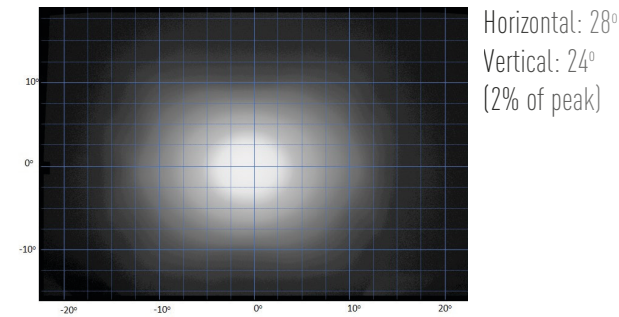
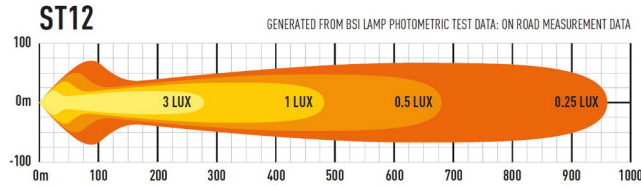


LAZER

HIGH PERFORMANCE LIGHTING

ST12 EVOLUTION

- 12x high density 11W LEDs (premium 'bin')
- Seamless, low profile design facilitates installation
- Dynamic drive modulation optimises light output to maximise LED lifetime
- Ultra-reflective optics deliver 'Drive' beam pattern
- E-coat pre-treatment provides maximum corrosion resistance



TECHNICAL SPECIFICATIONS



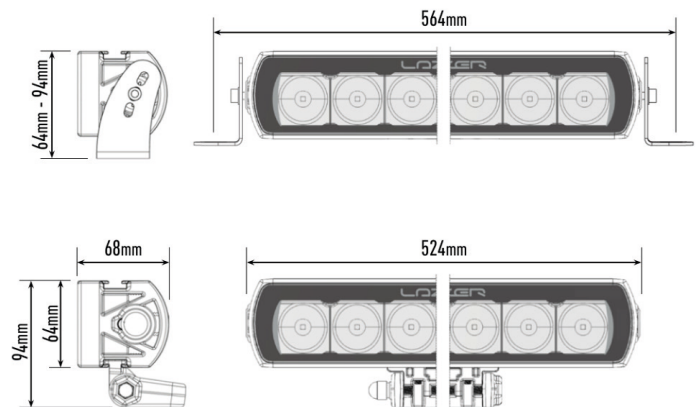
E-MARK REF	25
VOLTAGE RANGE	9V - 32V
RAW LUMENS	12408
BEAM PATTERN	Drive
BEAM DISTANCE (0.25LX)	962m
# HIGH POWER LEDS	12
POWER CONSUMPTION	144 Watts
CURRENT DRAW [†]	10 Amps
LED LIFE	50,000 Hrs*
WEIGHT	1634g

* LED Manufacturers Specifications [†]At 14.4 Volts

MOUNTING OPTIONS:



(Side Bracket kit sold separately)



LAZER LAMPS LTD

Units 1+2, Harlow Mill Business Centre, Riverway, Harlow, Essex. CM20 2FD. UK

Tel: +44(0)1992 677374

Email: sales@lazerlamps.com

www.lazerlamps.com

LAZER

HIGH PERFORMANCE LIGHTING

