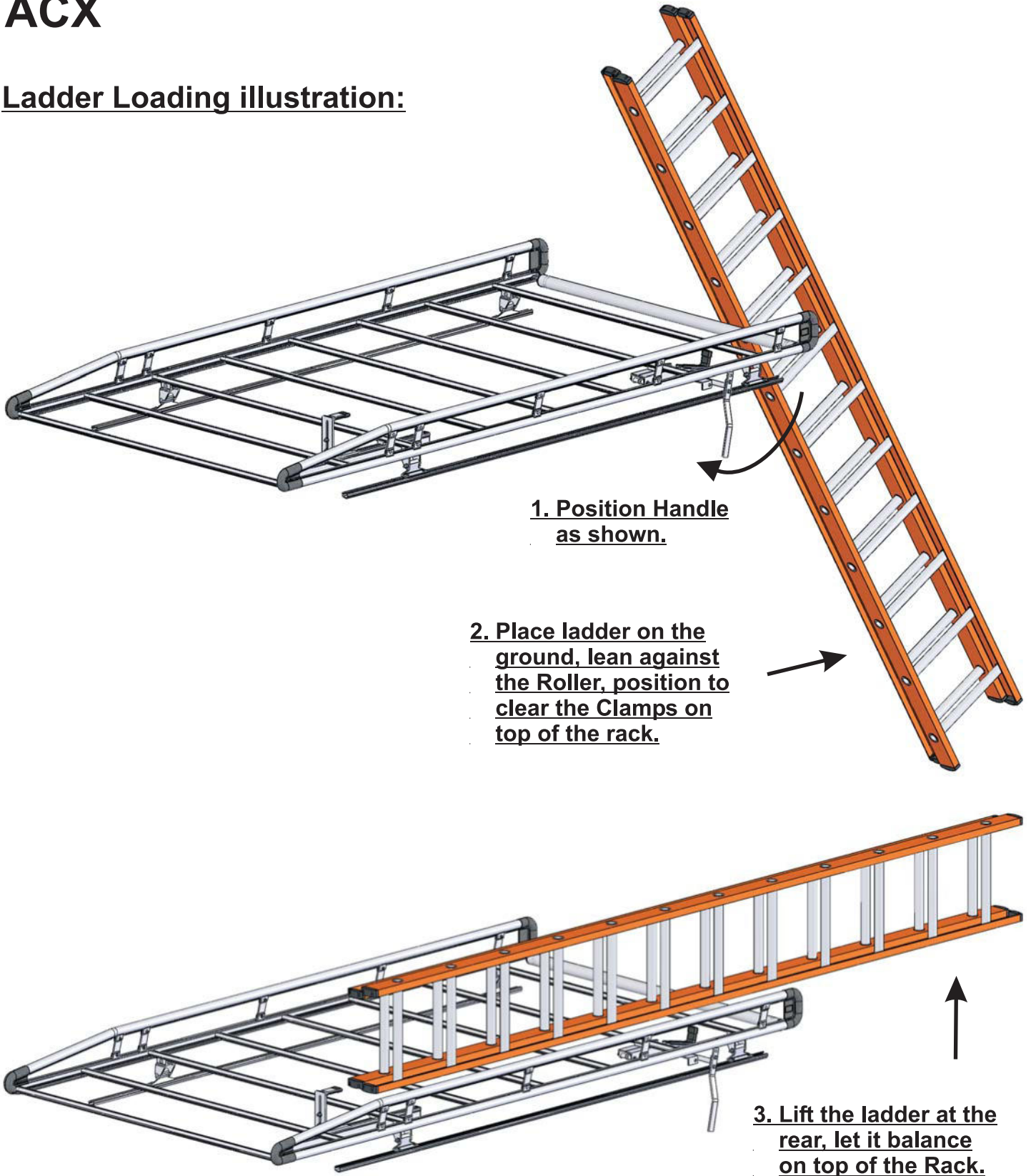


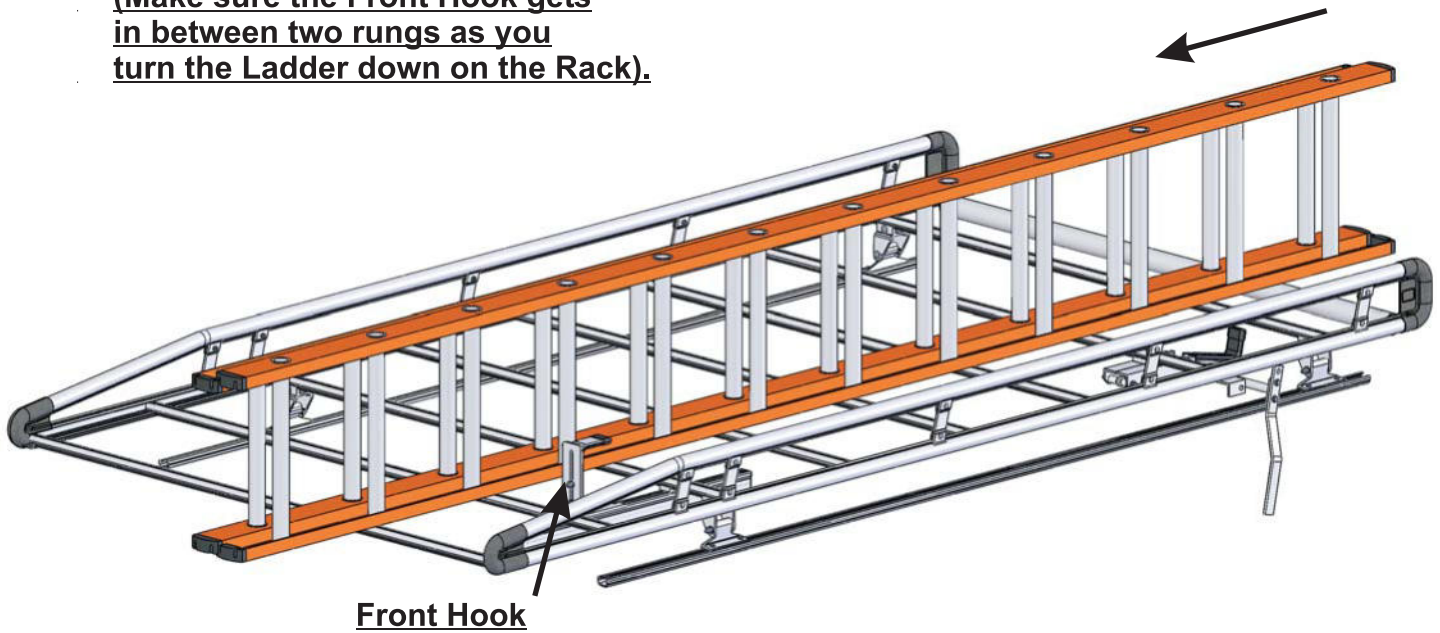
### ACX

#### Ladder Loading illustration:



## Ladder Loading illustration:

- 4. push the Ladder forward past the Front Hook to the desired carrying position. (Make sure the Front Hook gets in between two rungs as you turn the Ladder down on the Rack).**

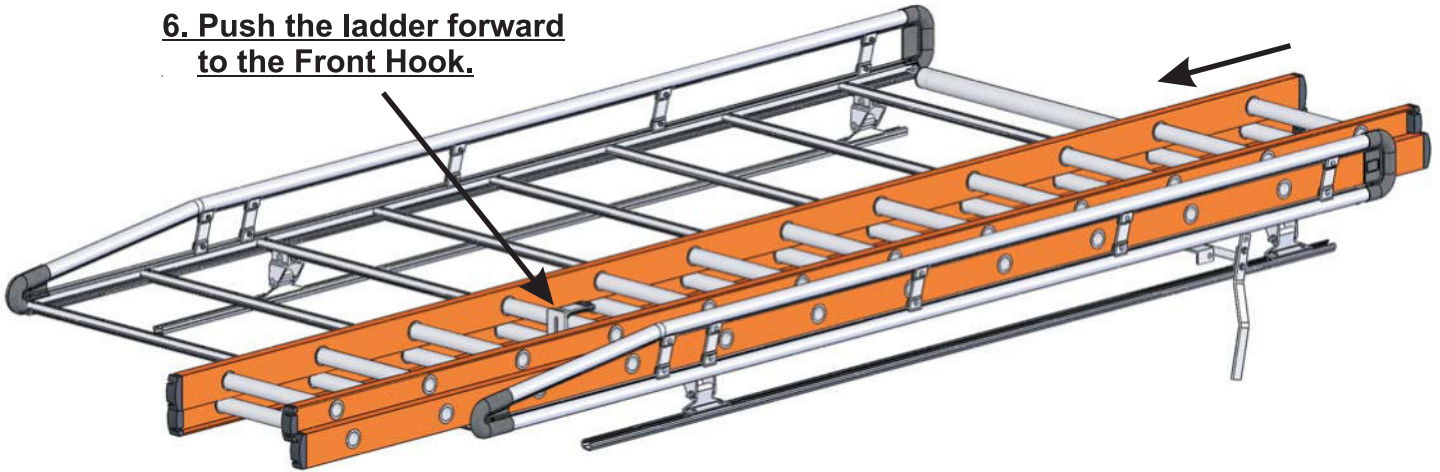


- 5. Lay the ladder onto the rack. Position next to the Side Rail.**

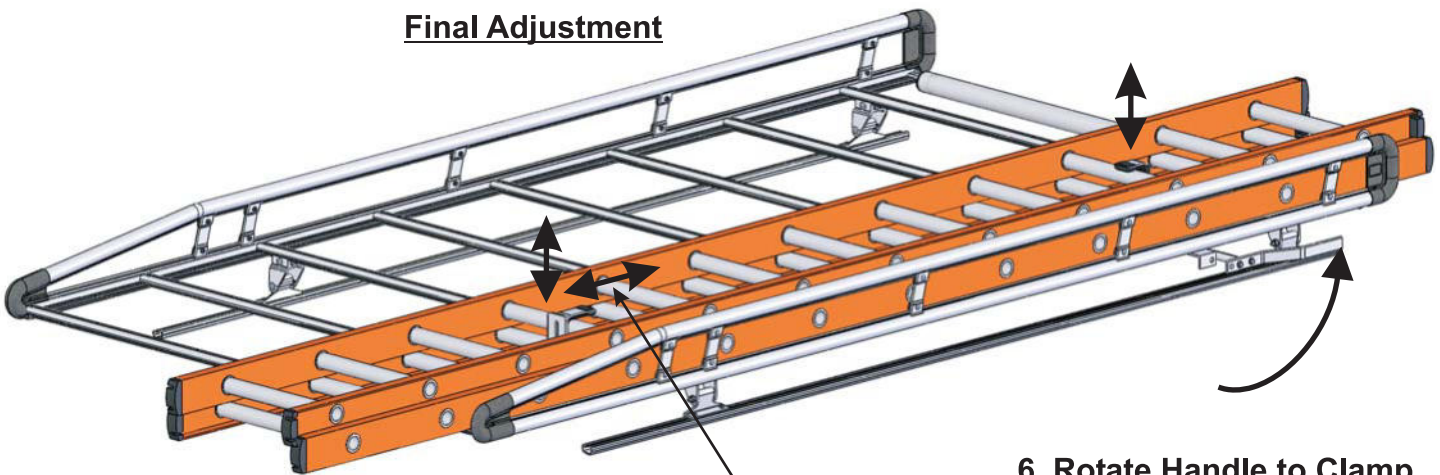


## Ladder Loading illustration:

**6. Push the ladder forward to the Front Hook.**



**Final Adjustment**



**Adjust**







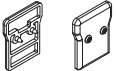
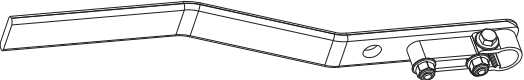

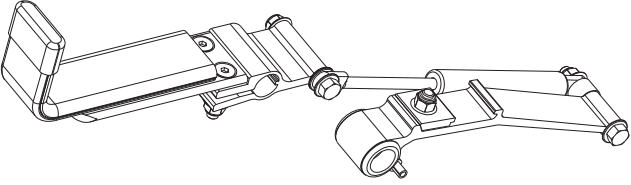

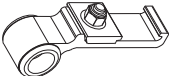
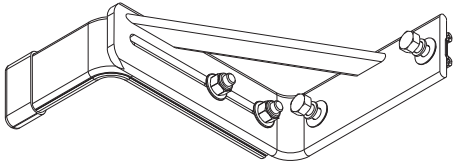
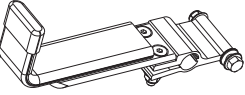
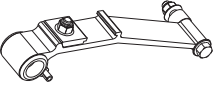

When adjusted properly, Rear Clamp is vertical, and Padlock holes line up between Handle and Bracket.

**6. Rotate Handle to Clamp the ladder.  
Padlock Handle Clamp if desired.**

**7. Ladder is clamped and ready for transportation.**



# Replacement Parts :

Channel 750mm - 30" <b>CDR-100-49</b>			
<b>Quick Clamp Hardware Kit - HKT-201 QTY: ( 1 )</b>			
			
<b>CDR-134</b>	<b>CAP-800-49 (2)</b>	<b>BRG-800-54-1 (2)</b>	<b>CDR-800-72</b>
Handle Rod Asy, LH <b>CDR-800-70-L</b>		Channel Caps, <b>CAP-800-49 (2)</b>	
			
Handle Asy, LH <b>CDR-824-L</b>		Low Channel Connector, <b>BRG-800-54-1</b>	
			
Rear Clamp Asy, LH <b>CDR-800-68A-L</b>		Padlock Bracket <b>CDR-800-71</b>	
			
		Handle Support Bracket Asy <b>CDR-800-72</b>	
			
	<b>CDR-800-69</b> Rear Clamp Asy, Adjust.		
	<b>CDR-800-68-A</b> Rear Clamp Base Asy		
		PALuRack QC Handle Bushing <b>CDR-134</b>	
			
		Gas Spring <b>GSP-114</b>	
		