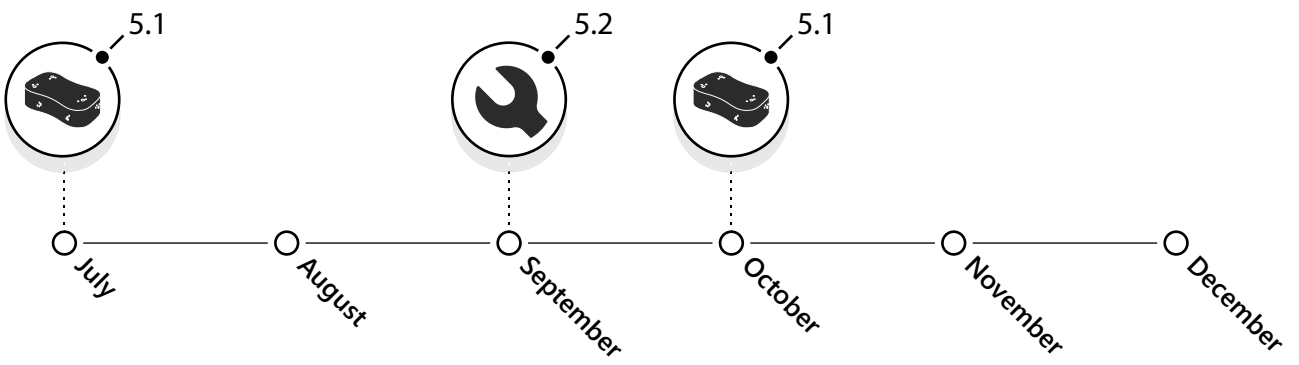
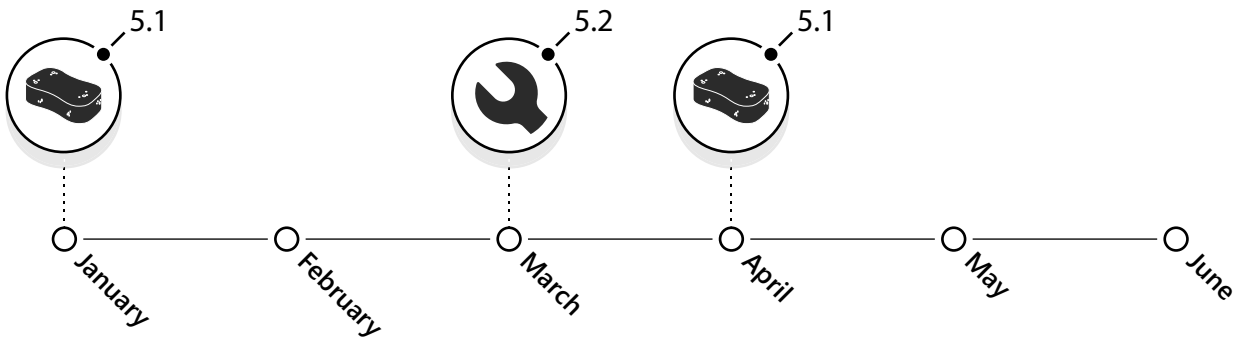


Mountain Top Slide™

Owner's manual

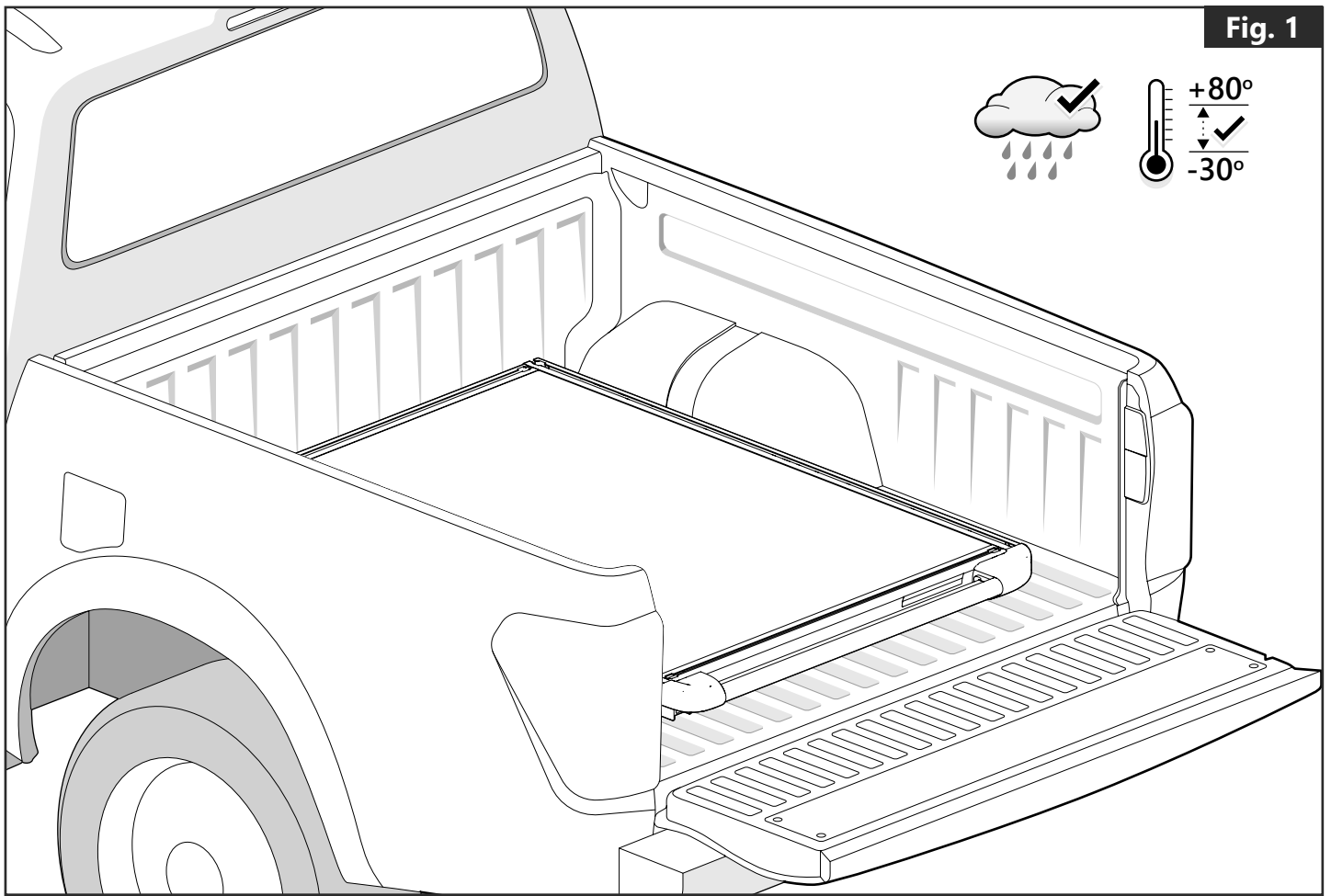


DOWNLOAD PDF



General maintenance calendar

1.	Conditions of use.....	p. 2
2.	Warnings.....	p. 4
3.	Functions.....	p. 5
4.	Detaching the deck.....	p. 6
5.	Maintenance	
	5.1 General cleaning.....	p. 7
	5.2 General maintenance.....	p. 8
6.	Accessories.....	p. 9



1 Conditions of use

- The purpose of the Mountain Top Slide™ is to facilitate easy access to cargo. **(Fig. 2)**
- The Mountain Top Slide™ is made of aluminium, plastics, plywood, and rubber.
- To ensure a smooth and trouble free operation and to maintain warranty, it's advised to follow this manual.
- The Mountain Top Slide™ has been designed for normal driving conditions on roads; the design is lightweight and not suitable for extreme usage.
- Temperature range: -30 to +80 degrees Celsius.
- The handle has been designed for extending and retracting the Mountain Top Slide™ easily regardless of hand placement on the handle.
- Side rails must be kept clean from dirt, snow and ice to assure proper operation.

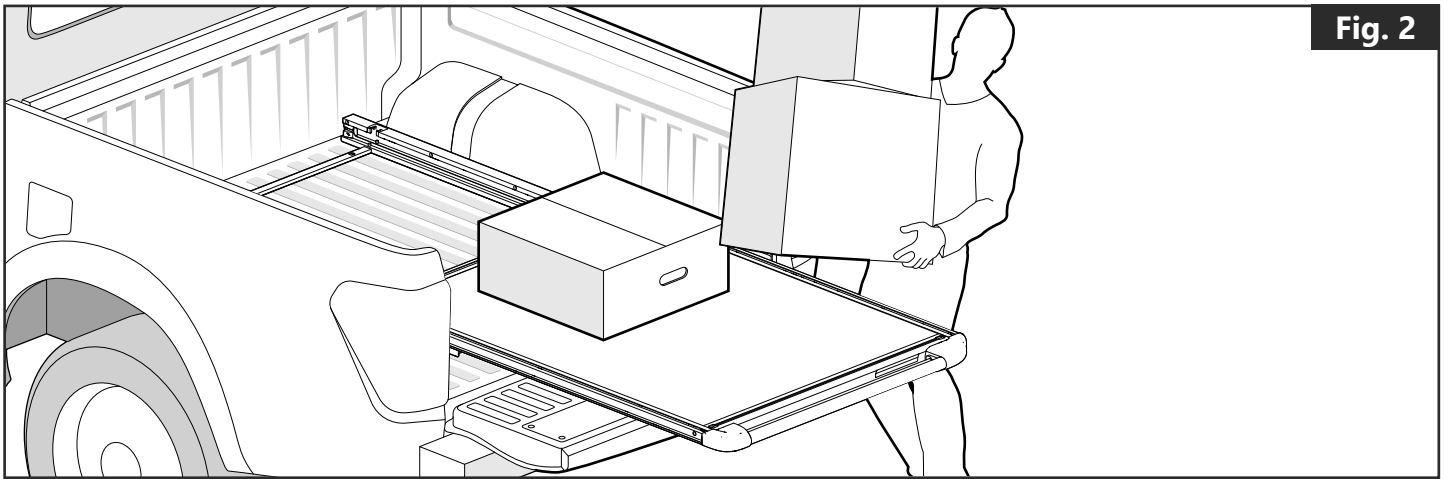


Fig. 2

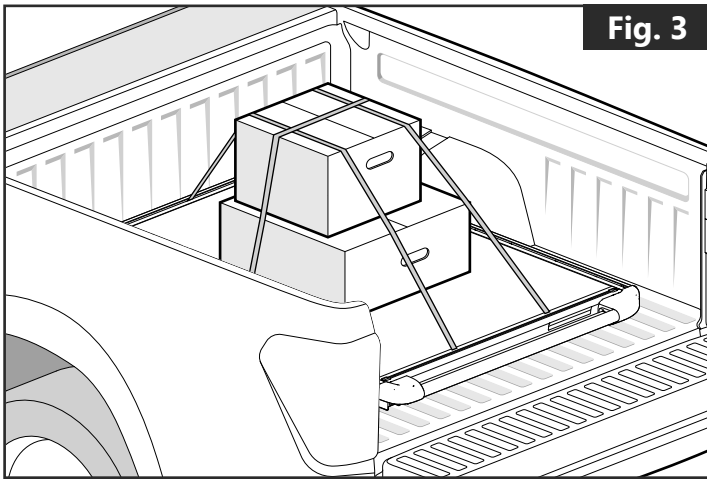


Fig. 3

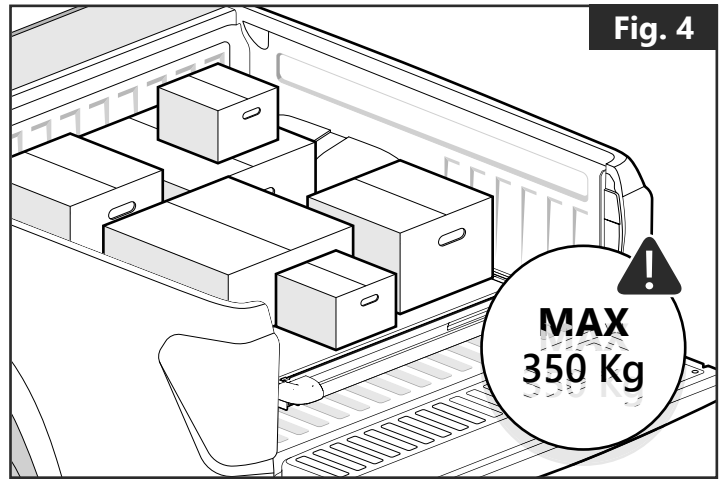


Fig. 4

- Cargo on the Mountain Top Slide™ must be secured during transportation to prevent shifting of load and damage to cargo. **(Fig. 3)**
- The tailgate must be closed while driving.
- The Mountain Top Slide has a max load capacity of 350 kg spread evenly across the deck. **(Fig. 4)**

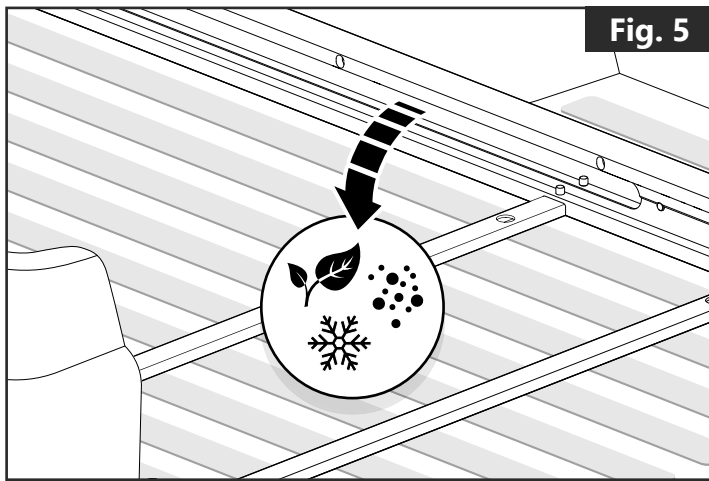


Fig. 5

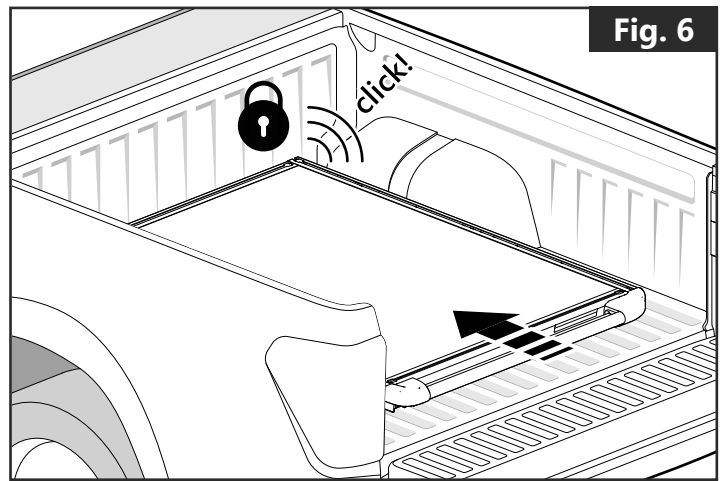


Fig. 6

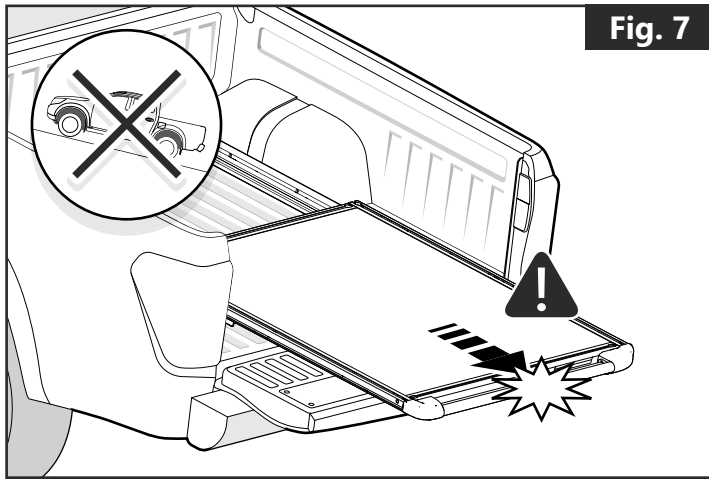


Fig. 7

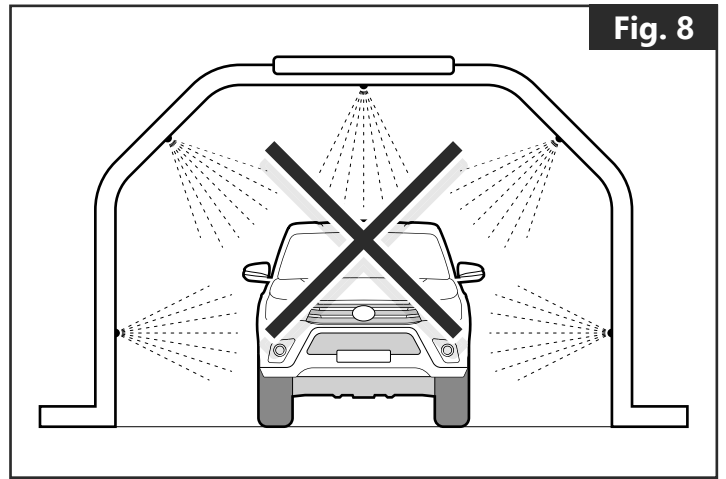


Fig. 8

2 Warnings

- Regularly clean the side rails to assure proper operation. Refer to the maintenance section (5.1) for proper cleaning procedures. **(Fig. 5)**
- Be careful when cleaning the side rails, as some edges may be sharp.
- Do not allow persons or animals on the Mountain Top Slide™.
- Make sure the Mountain Top Slide™ is in a locked position before driving. **(Fig. 6)**
- Cargo on the Mountain Top Slide™ must be secured during transportation.
- Do not release the locking mechanism when parked on an incline if loaded. **(Fig. 7)**
- We do not recommend washing the Mountain Top Slide™ in a brushless carwash, as the coating may be damaged due to use of chemicals. **(Fig. 8)**

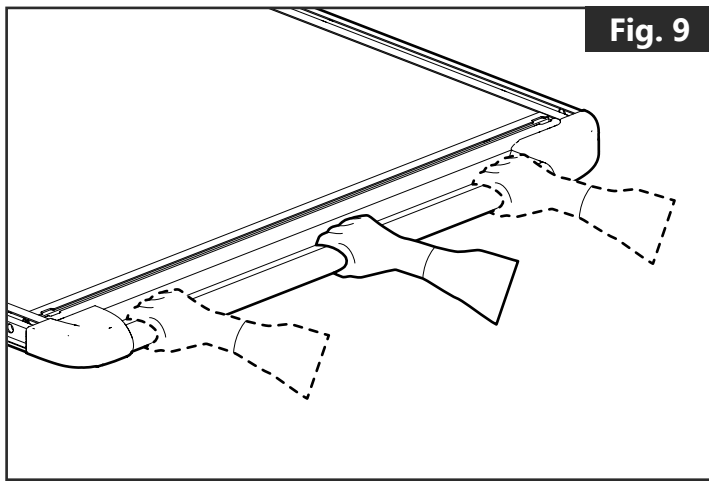


Fig. 9

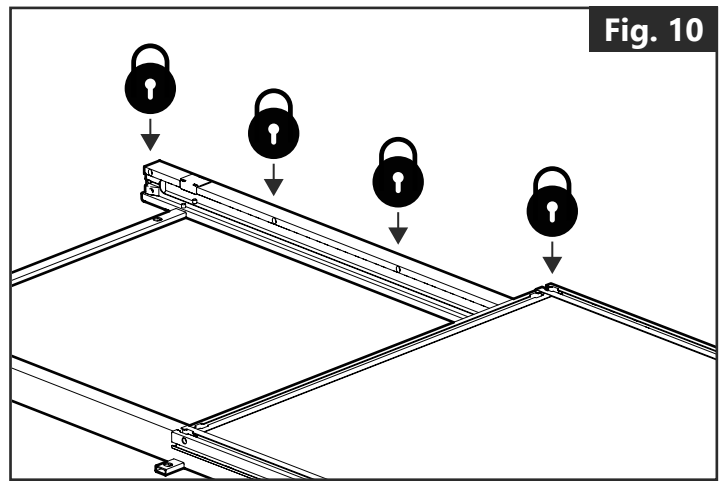


Fig. 10

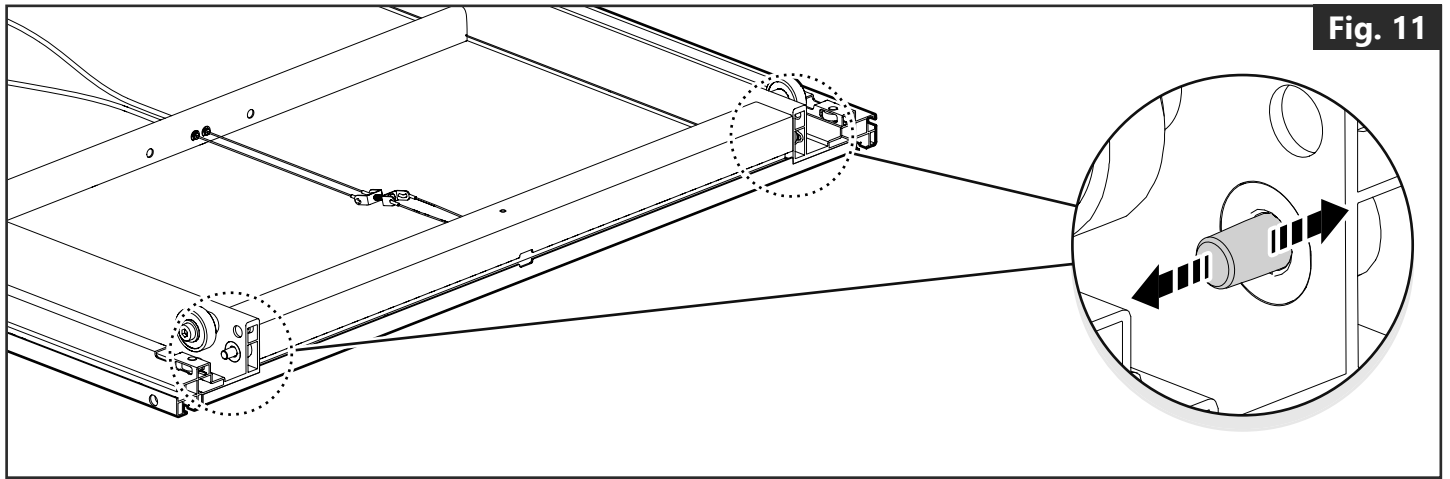


Fig. 11

3 Functions

- The Mountain Top Slide™ deck handle is designed to operate easily regardless of hand placement. It can be activated from both the center and sides. **(Fig. 9)**
- The Mountain Top Slide™ has 4 locking positions along the base frame rails. **(Fig. 10)**
- The Mountain Top Slide™ deck locks into the base frame using 2 locking pins. Both locking pins are located on the back of the deck. The locking pins retract and unlocks the deck when the deck handle is pulled. **(Fig. 11)**

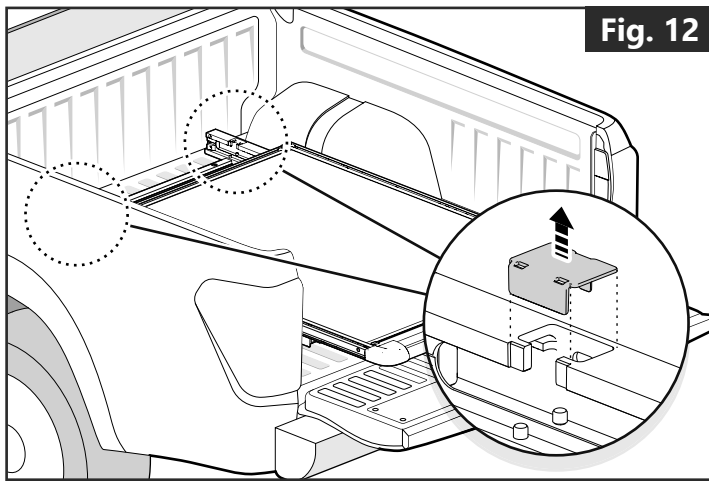


Fig. 12

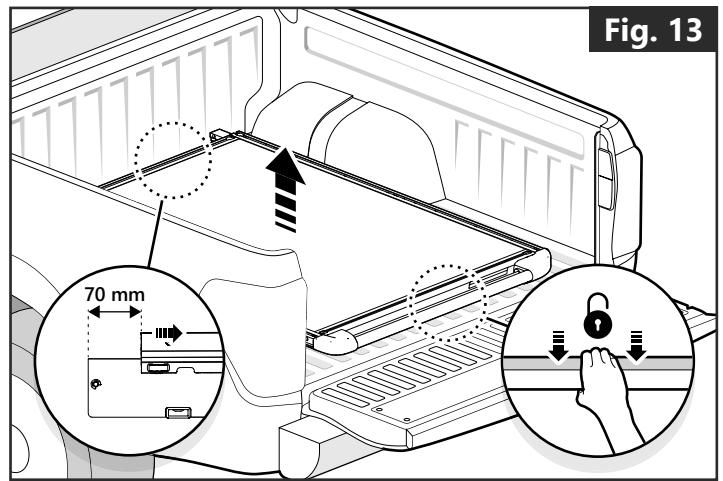


Fig. 13

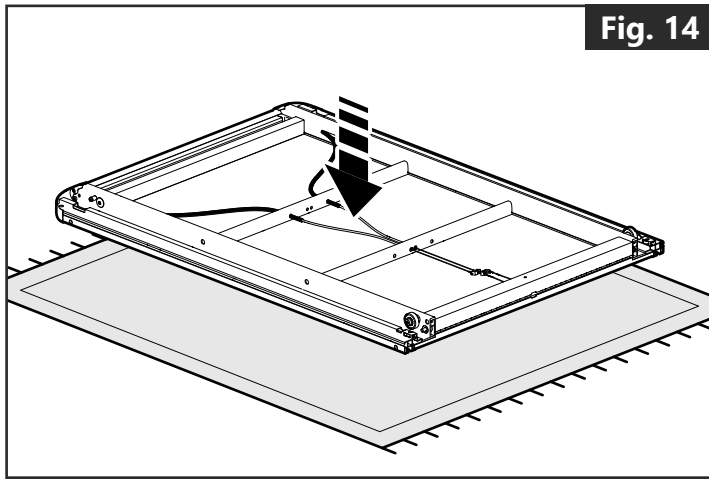


Fig. 14

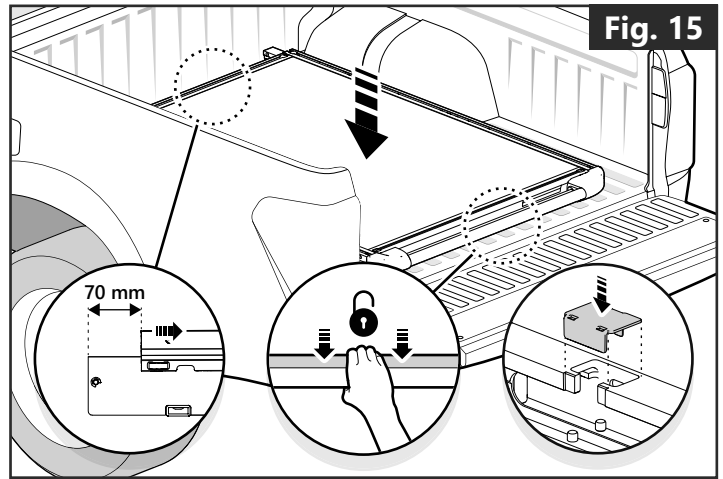
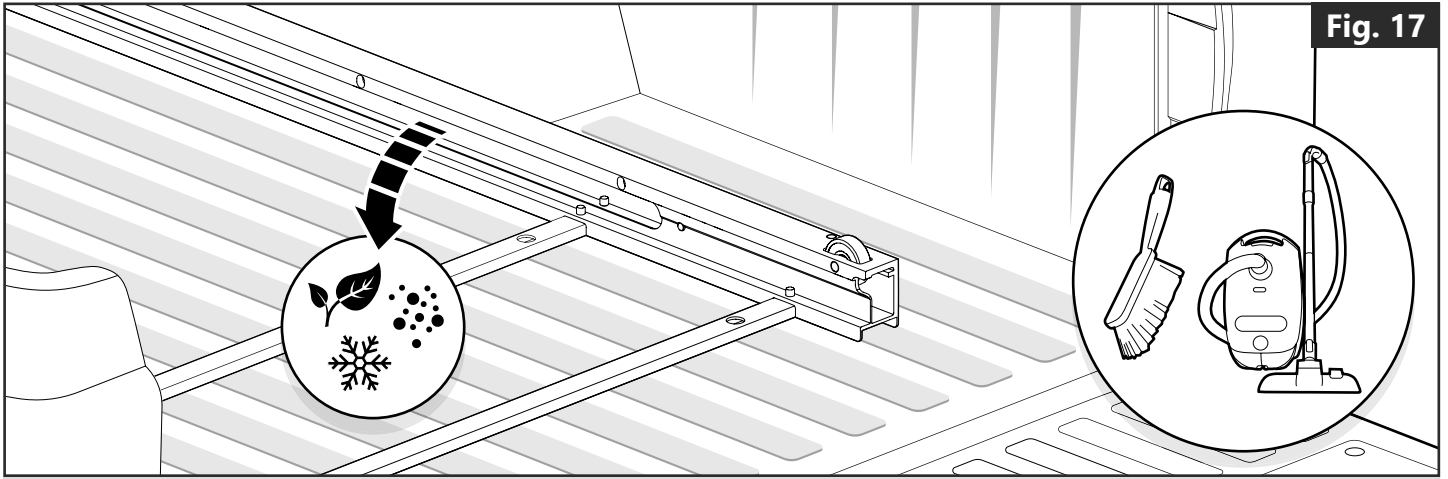
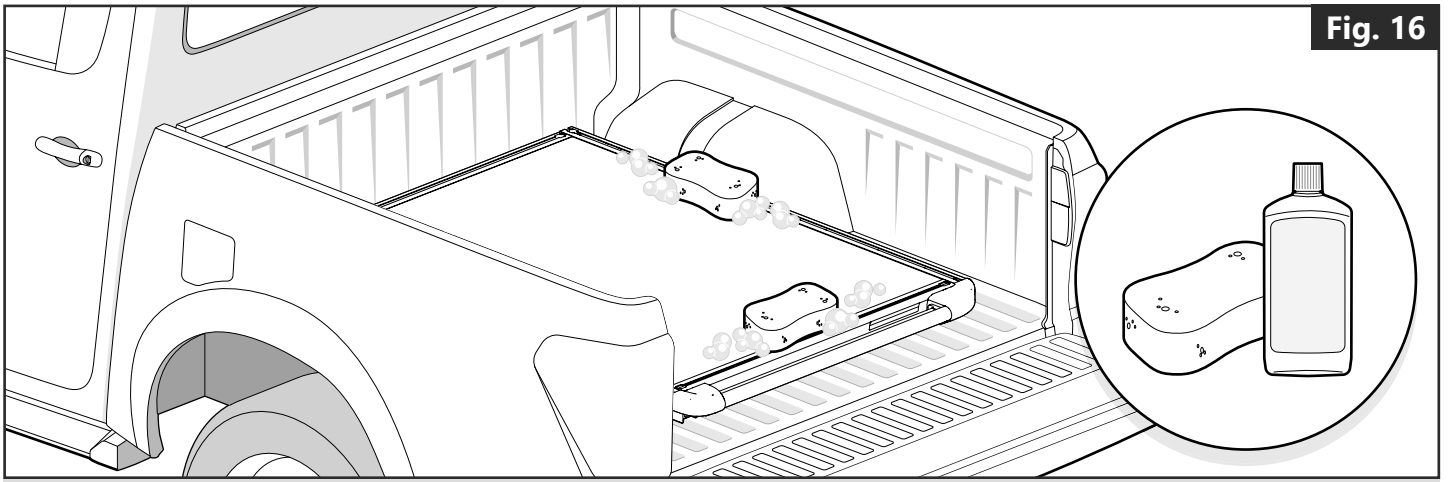


Fig. 15

4 Removal of the Mountain Top Slide™ deck

- To assure proper cleaning and maintenance of the Mountain Top Slide™, it is necessary to remove the sliding deck from the base frame. Follow these steps to safely remove the deck.
 - Extend the deck and remove the plastic inserts at the back of the base frame. **(Fig. 12)**
 - Position the deck 70 mm from the back of the base frame and - while holding the handle in the unlocked position - lift the deck up. **(Fig. 13)**
 - Place the deck upside down on a protective surface. **(Fig. 14)**
- To re-attach the sliding deck, lower it into position in the base frame, while holding the handle in the unlocked position. Extend the sliding deck, and place the plastic inserts into the base frame. **(Fig. 15)**



5.1 General cleaning

- The Mountain Top Slide™ should be cleaned on a regular basis using water with normal car shampoo. **(Fig. 16)**
- Clean the base frame rails regularly. For optimal cleaning, remove the deck from the base frame. Refer to section (4) for proper detachment of the deck.
 - Keep the base frame rails clean and free of debris to assure proper operation.
 - Use a brush or vacuum cleaner to remove debris. **(Fig. 17)**
- When cleaning, use a soft, lint free cloth or brush. Rinse soap foam off thoroughly with fresh water, and dry with a clean cloth. It is vital that any other chemicals such as petrol, strong alkaline or acid are NOT used on the surface.
- Do not use abrasive cleaning tools such as steel wool, hard brushes or abrasive scourers.

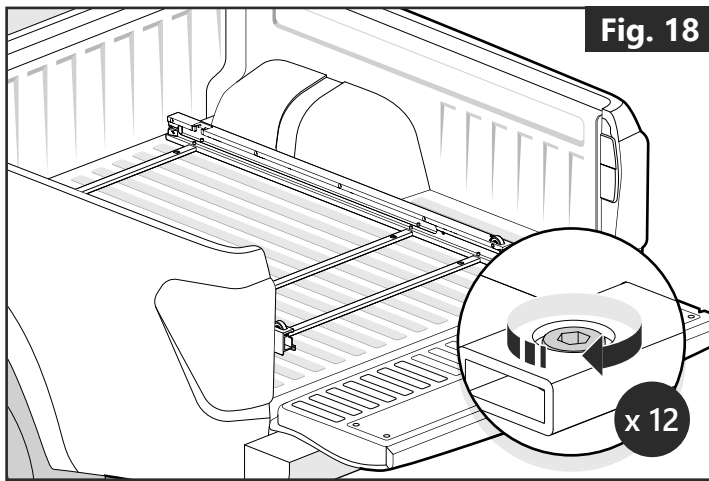


Fig. 18

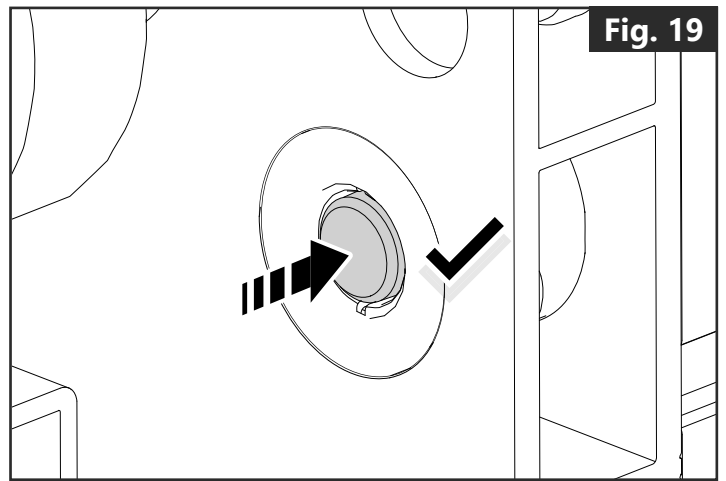


Fig. 19

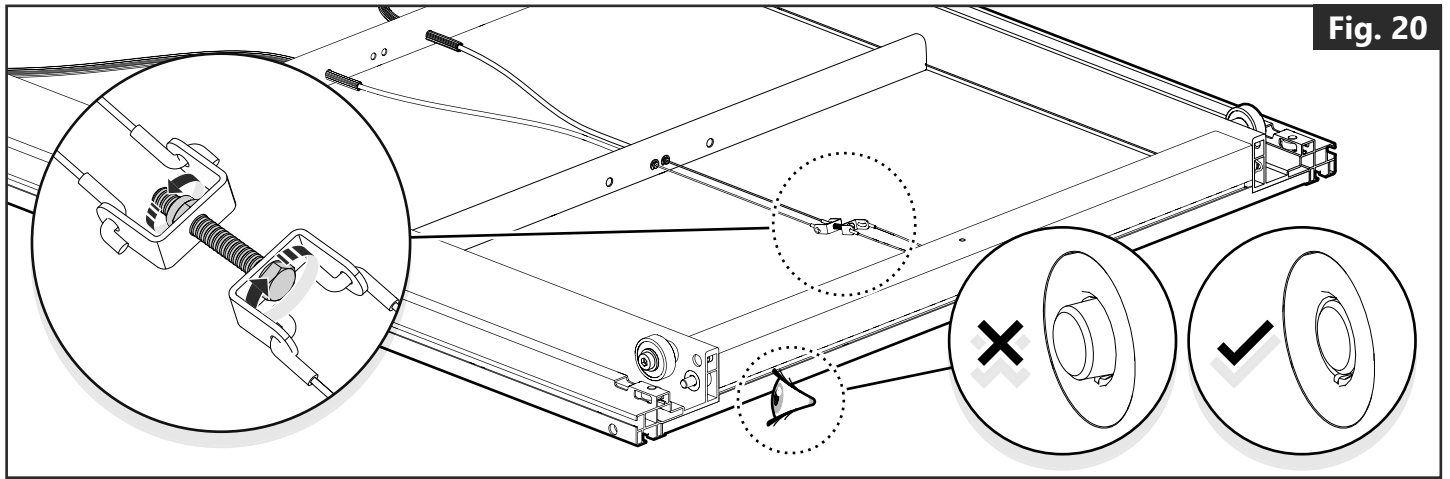


Fig. 20

5.2 General maintenance

- It is recommended that maintenance is performed on the Mountain Top Slide every 6 months.
- To perform proper maintenance on the Mountain Top Slide, it is necessary to detach the deck from the base frame. Refer to section (4) for proper detachment of the deck.
- If necessary, re-tighten all bolts connecting the base frame to the bed of the truck to 21 Nm. (**Fig. 18**)
- The locking pins - located at the back of the deck (**Fig. 19**) - should retract completely when the deck handle pulled. If the locking pins do not retract completely, tighten the wire connector underneath the deck (**Fig. 20**) until the locking pins retract completely again.

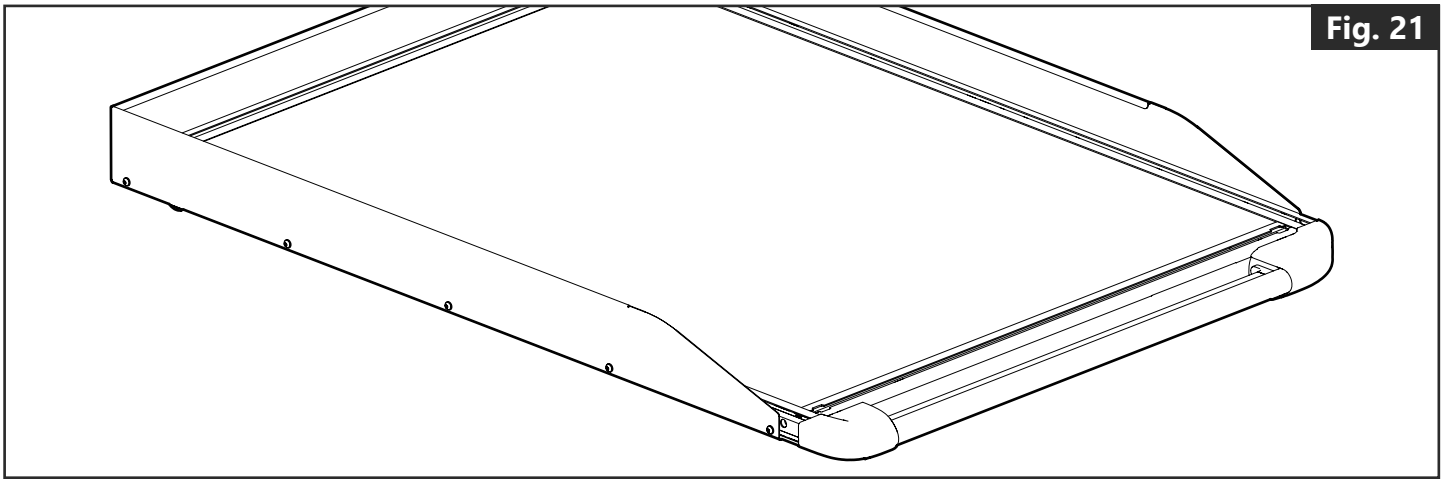


Fig. 21

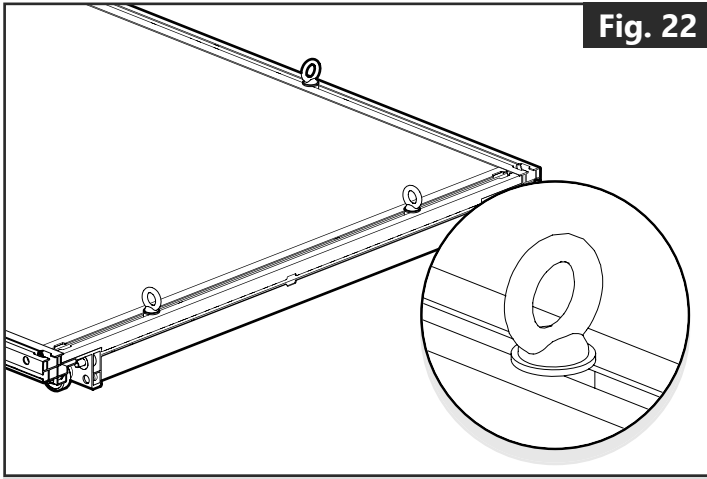


Fig. 22

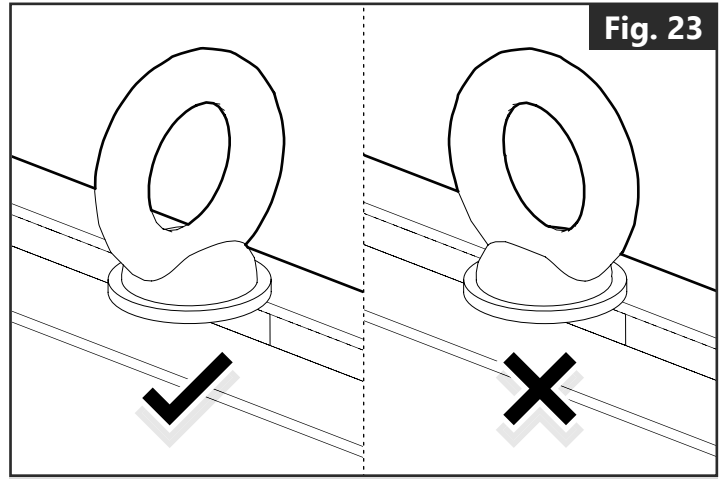


Fig. 23

6 Accessories

- Floor Walls
 - Walls for the Mountain Top Slide. **(Fig. 21)**
- Cargo Bolts
 - Designed for securing cargo to the Mountain Top Slide deck. **(Fig. 22)**
 - Set of 4 eye bolts.
 - If the eye bolt accessories are used to secure cargo, make sure the eye bolts are fastened securely, and aligned perpendicular to the bolt rails. If the bolts are not aligned correctly, they may become loose. **(Fig. 23)**



Customer Service	+45 4810 2950 (08:00 - 16:00 CET)
Fax	+45 4810 2960
Support	info@mountaintop.dk
Website	www.mountaintop.dk
Address	Pedersholmparken 10, 3600 Frederikssund, Denmark